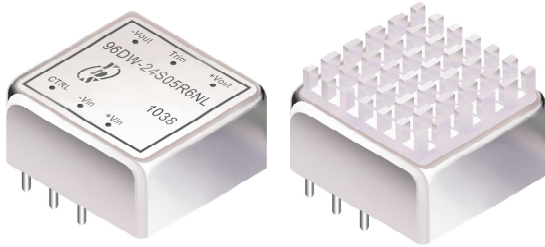




Yuan Dean Scientific CO.,LTD 96DW- R6 SERIES

30Watt Single Output Regulated 1500Vdc Isolation Dc-Dc Converter



FEATURES

- 4:1Wide Input Voltages Range
- High Efficiency up to 92%
- Regulated Output Types
- 1" X 1" DIL Package
- Operating Temperature:-40°C TO +80°C
- Industry Standard Pinout



Specifications typical at TA=25°C, nominal input voltage and rated output current unless otherwise specified

Part Number	Input Voltage Range	Nominal Input Voltage	Output Voltage Range	Output Current	Efficiency
	Vdc	Vdc	Vdc	mA	%TYP
96DW-24S03R6NL	9-36	24	3.3	7000	86
96DW-24S05R6NL	9-36		5	6000	88
96DW-24S12R6NL	9-36		12	2500	89
96DW-24S15R6NL	9-36		15	2000	89
96DW-24S24R6NL	9-36		24	1250	90
96DW-48S03R6NL	18-75	48	3.3	7000	87
96DW-48S05R6NL	18-75		5	6000	89
96DW-48S12R6NL	18-75		12	2500	90
96DW-48S15R6NL	18-75		15	2000	91
96DW-48S24R6NL	18-75		24	1250	92
96DW-24D05R6NL	9-36	24	±12	±1250	89
96DW-24D12R6NL	9-36		±15	±1000	91
96DW-24D15R6NL	9-36		±24	±625	91
96DW-48D05R6NL	18-75	48	±12	±1250	91
96DW-48D12R6NL	18-75		±15	±1000	92
96DW-48D15R6NL	18-75		±24	±625	92

Input Specifications

Parameters	Conditions	Min	Typ	Max	Units
Voltage Type				4:1	
Input current at no load (Nominal input voltage)	24V models 48V models		10 10		mA
Surge Voltage (1 sec. max.)	24V models 48V models			50 100	Vdc

Output Specifications

Parameters	Conditions	Min	Typ	Max	Units
Voltage Tolerance	100% full load			±2	%
Short Circuit Protection	Continuous ,Auto-Recovery				
Output Power Protection	Continuous ,Auto-Recovery	110		170%	
Over Voltage Protection	3.3Vdc 5Vdc 12Vdc 15Vdc 24Vdc	3.7 5.6 13.5 18.3 29.1		5.4 7.0 19.6 22.0 32.5	Vdc
Line Regulation	Nominal Input Voltage			±0.5	%
Load Regulation	Single Dual (Balance load)			±0.5 ±1.0	%
Cross Regulation	Dual(25% to 100% load)			±5.0	%
Ripple & Noise	BW=DC To 20MHz Single : 3.3V & 5V with 22uF 12V & 15V with 2*22uF 24V with 2*6.8uF Dual : (at each output) ±12V&±15V with10uF ±24V with 4.7uF			100	mVp-p



Yuan Dean Scientific CO.,LTD 96DW- R6 SERIES

30Watt Single Output Regulated 1500Vdc Isolation Dc-Dc Converter

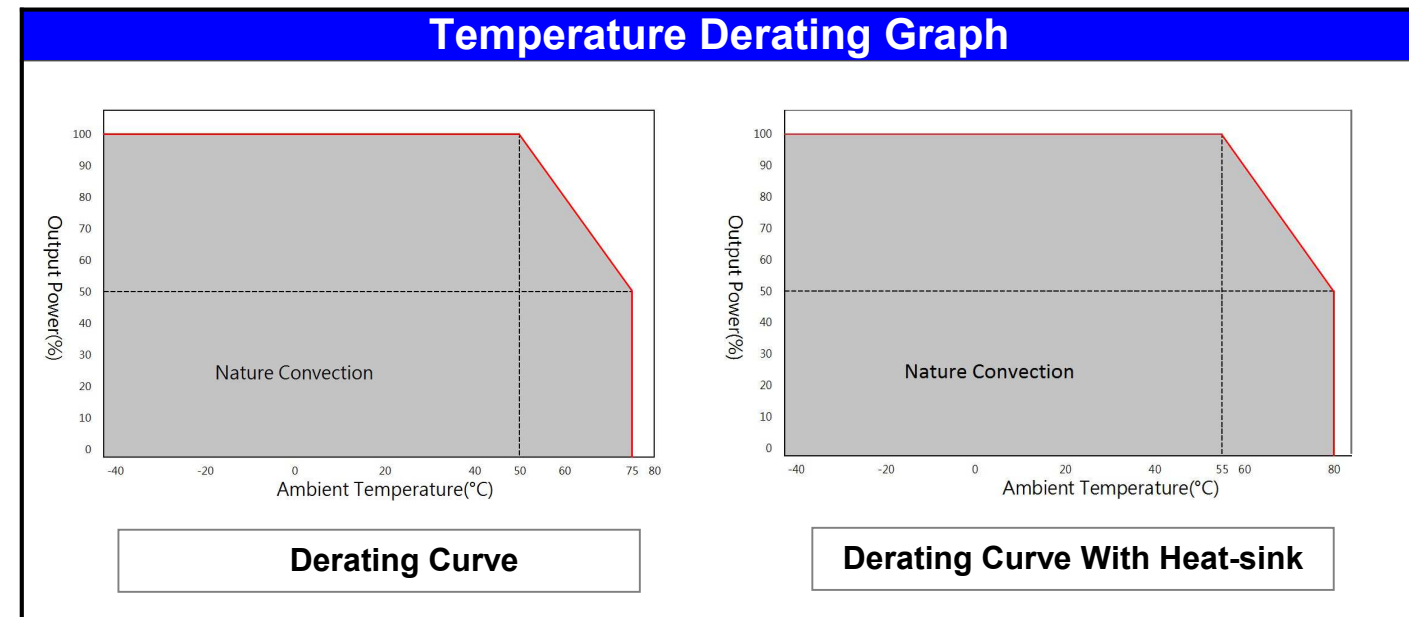
Start up time	Nominal Input Voltage		30	ms
Transient response setting time	25% load step change	350		us

General Specifications					
Parameters	Conditions	Min	Typ	Max	Units
Isolation Voltage	Input To Output	1500			Vdc
	Input(Output) To Case	1000			
Isolation Resistance	500Vdc	1000			MΩ
Switching Frequency	Full load, nominal input	275			KHz
Operating Temperature		-40		80	°C
Case Temperature				105	°C
Humidity	Non Condensing	5		95	%
Cooling	Free air Convection				
Case material	Six-side shield case				
MTBF	MIL-HDBK-217F@25°C	1200000			Hours
Weight	without heatsink		22		g
	with heatsink		24.5		
Dimensions		25.4X25.4X10.6			mm

Part Number

96DW- 48 S 05 R 6 NL
A B C D E F G

A: Series
B: Input Voltage
C: Single Output (S) or Dual Output (D)
D: Output Voltage
E: Regulated(R)
F: Package
G:RoHS Version

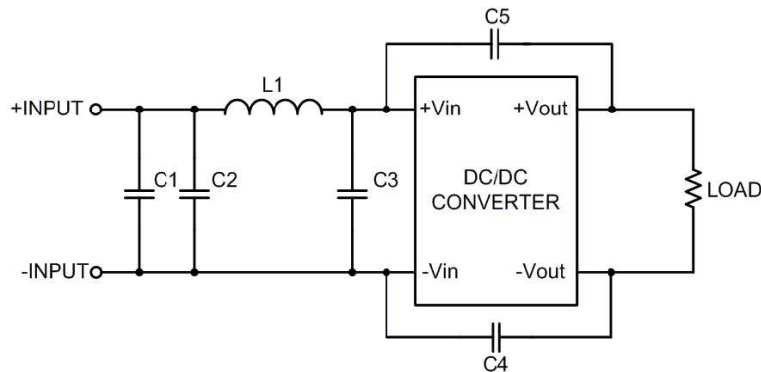




Yuan Dean Scientific CO.,LTD 96DW- R6 SERIES

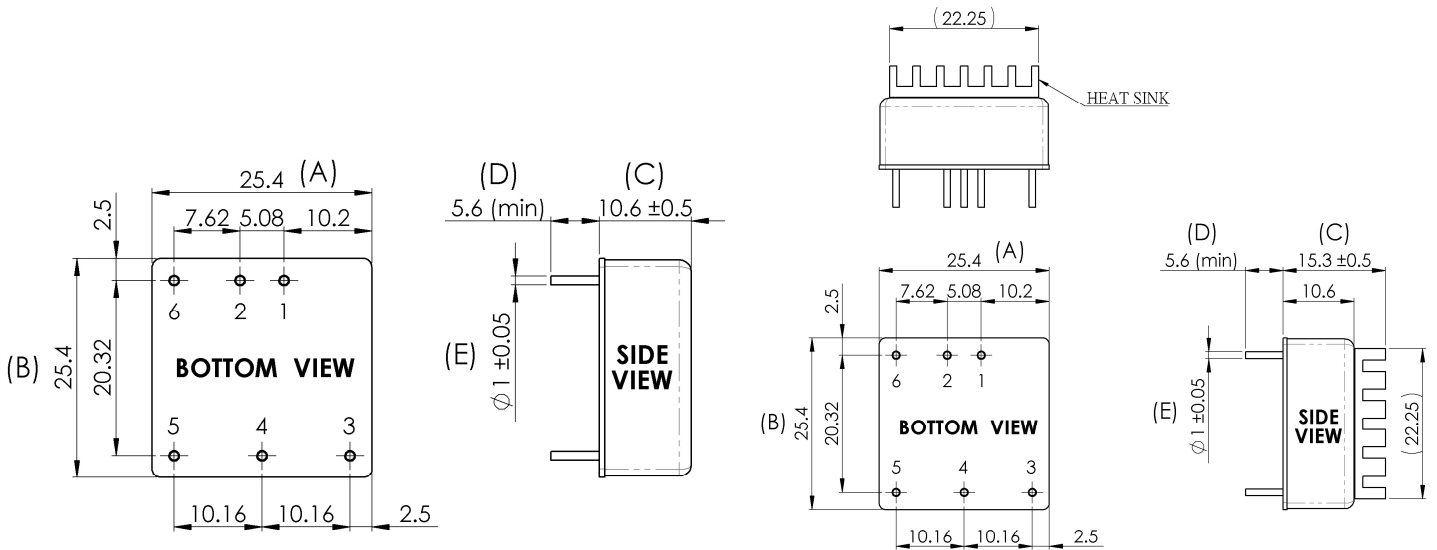
30Watt Single Output Regulated 1500Vdc Isolation Dc-Dc Converter

Recommended Test Circuit



24V C1&C2&C3 4.7uF/50V C4&C5 1000pF/2kV L1 2.2uH
 48V C1&C2&C3 4.7uF/100V C4&C5 2200pF/2kV L1 10uH

Markings and Dimensions



Unit : mm
 Tolerance : XX.X ± 0.5 , XX.XX ± 0.25

Unit : mm
 Tolerance : XX.X ± 0.5 , XX.XX ± 0.25

PIN Assignment

PIN	1	2	3	4	5	6
Single	+Vin	-Vin	+Vout	Trim	-Vout	Remote ON/OFF
Dual	+Vin	-Vin	+Vout	COM	-Vout	Remote ON/OFF