

25Watt, Single & Dual Output ,AC/DC Power Module Converter



FEATURES:

- Universal Input 90~264VAC
- High Efficiency Up To 85%
- Protection: Short Circuit /Overload/Over Voltage
- Fully Encapsulated Plastic Case
- Internal Input Filter
- 2 Years Warranty ● ROHS Compliant

GA025 - D 05
A B C

A:Series
B:Single(S) DUAL(D)
C:Output Voltage



Specifications typical at TA=25°C, nominal input voltage and rated output current unless otherwise specified

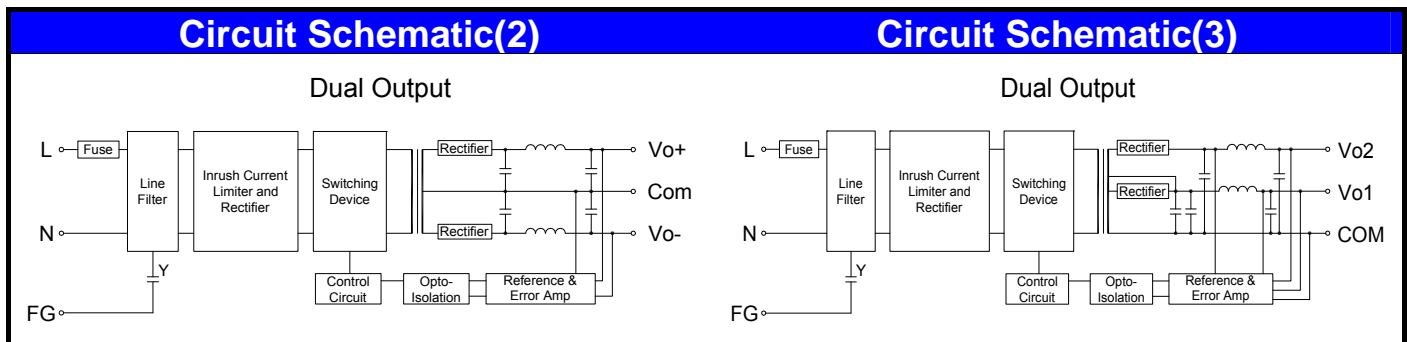
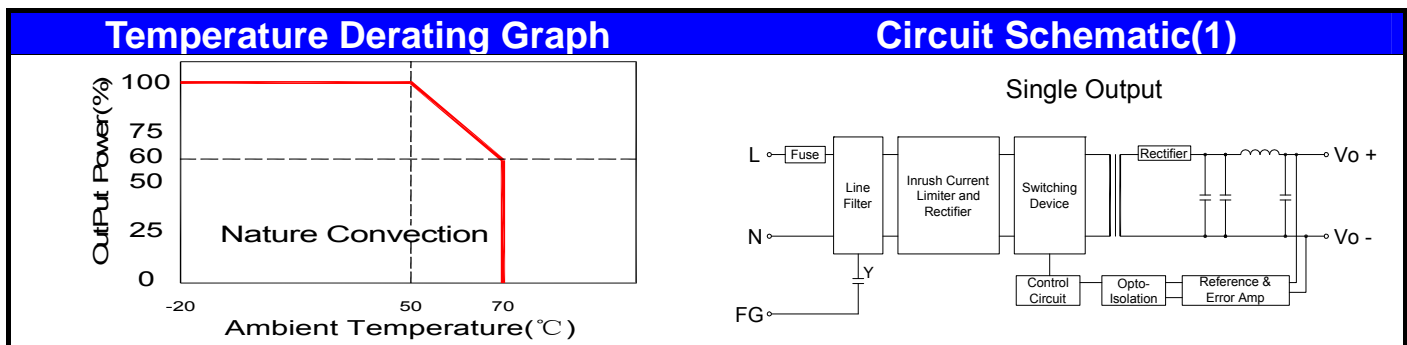
Part Number	Output Wattage	Output Voltage	Output Current	Ripple & Noise	Efficiency
	(W)	(VDC)	(mA)	(mV) max(Note)	(TYP %)
GA025-S03	16.5	3.3	5000	150	75
GA025-S13	26.0	13	2000	150	80
GA025-S14	26.0	14	1850	150	80
GA025-S15	26.0	15	1750	200	82
GA025-S16	26.0	16	1625	200	82
GA025-S18	26.0	18	1450	200	82
GA025-S24	26.4	24	1100	240	85
GA025-S27	27.0	27	1000	240	85
GA025-S36	27.0	36	750	240	85
GA025-S48	27.0	48	560	240	85
GA025-D05	25.0	±5	±2500	150	75
GA025-D12	24.0	±12	±1000	150	78
GA025-D15	24.0	±15	±800	150	80
GA025-D24	24.0	±24	±500	150	80
GA025-D0305	13.5	Vo1=+3.3,Vo2=+5	Io1=2500,Io2=1000	150(Vo1) 240(Vo2)	76
GA025-D0512	24.0	Vo1=+5,Vo2=+12	Io1=2400,Io2=1000		76
GA025-D0515	24.0	Vo1=+5,Vo2=+15	Io1=2400,Io2=800		76
GA025-D0524	24.0	Vo1=+5,Vo2=+24	Io1=2400,Io2=500		78

Input Specifications						
Parameters	Conditions		Min	Typ	Max	Units
Rated Input Voltage	Vo,Io nom			100~240		Vac
Voltage Range	Vo,Io nom	AC in	90		264	Vac
		DC in	120		370	Vdc
Line frequency	Vi nom,Io nom		47	50/60	63	Hz
Inrush Current	Io nom	Vi:115VAC			12	A
		Vi:230VAC			20	A
Input Fuse	VDE/UL/CCC FUSE 2.5A/250V (Slow blow)					

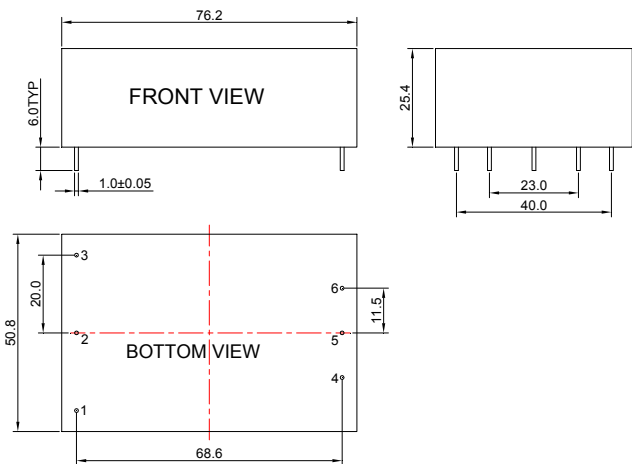
Output Specifications						
Parameters	Conditions		Min	Typ	Max	Units
Output Voltage Accuracy	Vi nom,Io nom (Single output)	3.3 Models			±3	%
		13...48V Models			±2	%
	Dual Output				±5	%
Minimum Load	Vi nom	Single Output Models	0			%
		Dual Output Models(each output)	20			%
Line Regulation	Io nom,Vi min...Vi max			±1		%
Load Regulation	Io min~ Io nom	Single Output Models		±2		%
		Dual Output Models		±5		%
Transient Recovery time	Vi nom,Io nom = ↔→0.5 Io nom			1,000		µS
Protection	Overload		Above 110% rated output power			
	Short circuit		Protection type: Recovers automatically after fault condition is removed			
	Over Voltage(Main Output)		120%-150% rated output Voltage			
			Protection type: Zener diode clamp			

Note. Ripple & noise is measured by using 20 MHz bandwidth, measured with a 47µf paralleled with a high-frequency 0.47µf capacitor across each output by full load.

General Specifications					
Parameters	Conditions	Min	Typ	Max	Units
Switching Frequency	Vi nom,lo nom		65		KHz
Isolation Voltage	Input / Output	3KVac/ 5mA/5Secs			
Isolation Resistance	Input / Output,@500 Vdc	100			MΩ
Operating Temperature	Operating at Vi nom,lo nom	-20		+70	°C
Derating	Vi nom,lo nom+51 to 71°C			2	%/°C
Storage Temperature	Non Operational	-40		+85	°C
Relative Humidity	Vi nom,lo nom			95	% RH
Safety Standards	EN60950-1 approved				
EMI Conduction & Radiation	Compliance to EN55022				
EMS Immunity	Compliance to EN55024				
Dimension	L76.2x W50.8 x H25.4mm L3.0x W2.0 x H1.0 inches				
Cooling	Free air convection				



Markings and dimensions



PIN	Model		
	Single	Dual	Dual
1	FG	FG	FG
2	ACN	ACN	ACN
3	ACL	ACL	ACL
4	-Vo	-Vo	+Vo2
5	NO PIN	Com	Com
6	+Vo	+Vo	+Vo1

Unit: mm Unless otherwise specified, all tolerances are ± 0.50