

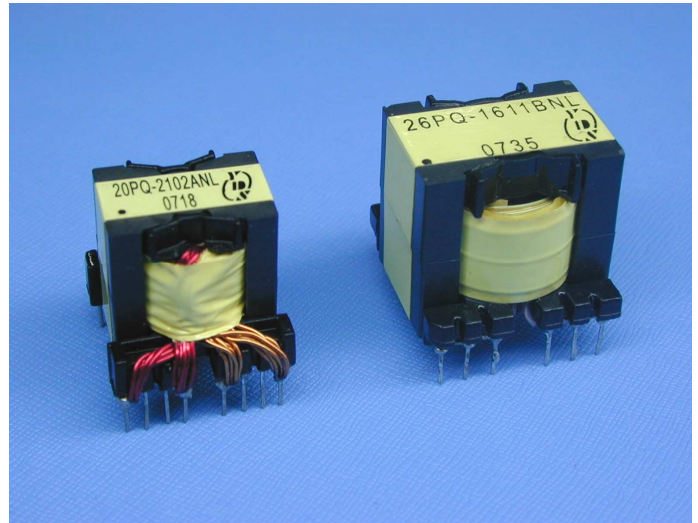
**FEATURES**

- HIGH FREQUENCY POWER TRANSFORMER
- HIGH FREQUENCY SWITCHING TRANSFORMER
- CURRENT SENSORS
- WIDE VARIETY OF OTHER SIZES AND VALUES AVAILABLE

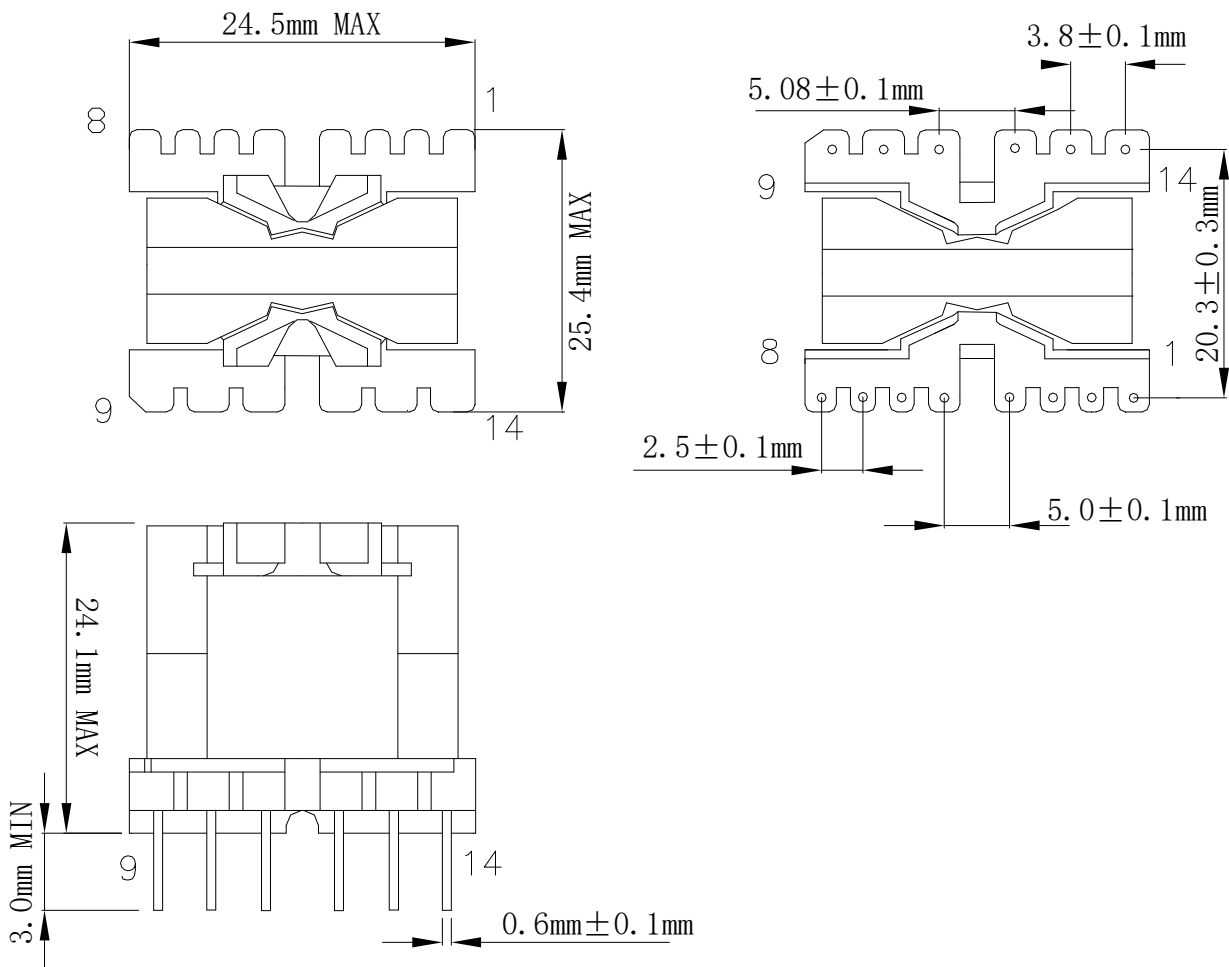
**Part Number: 20PQ**

20PQ - 210 1 A NL  
 A B C D E

A:Series  
 B:Inductance  
 C:Sequence id  
 D:Schematics  
 E:ROHS



**MARKINGS AND DIMENSION**



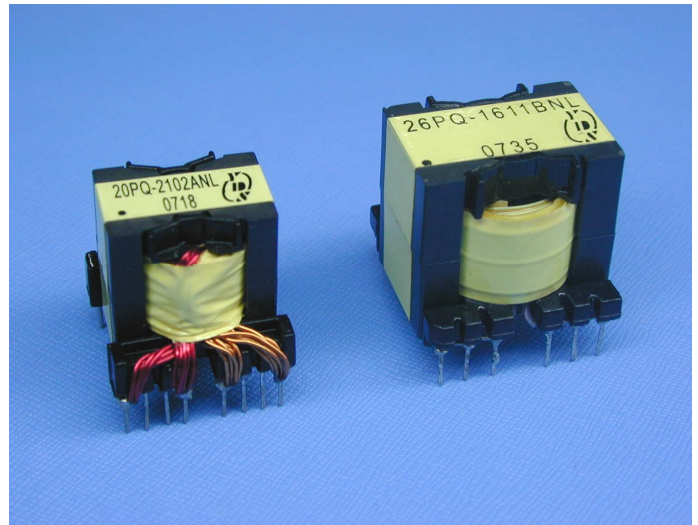
**FEATURES**

- HIGH FREQUENCY POWER TRANSFORMER
- HIGH FREQUENCY SWITCHING TRANSFORMER
- CURRENT SENSORS
- WIDE VARIETY OF OTHER SIZES AND VALUES AVAILABLE

**Part Number: 26PQ**

20PQ - 210 1 A NL  
 A B C D E

A:Series  
 B:Inductance  
 C:Sequence id  
 D:Schematics  
 E:ROHS



**MARKINGS AND DIMENSION**

