

40Watt,Dual/Triple Output,AC-DC Open Frame Converter



FEATURES:

- Universal Input 90~264VAC
- High Efficiency at 80% Typical
- Protection: Short Circuit /Overload/Over voltage
- Internal Input Filter
- 2 Years Warranty

GB040 - T 051205
A B C

A:Series
 B: Dual(D) Triple(T)
 C: Output Voltage

Specifications typical at TA=25°C, nominal input voltage and rated output current unless otherwise specified

Part Number	Output Voltage (V)	Output Current(A)			Voltage Accuracy (%)	Line Reg. (%)	Load Reg. (%)	Efficiency (%)
		Convection cooled		Max 18 CFM				
		MIN	RATED	MAX				
GB040-D0512	5(Vo1)	0.64	3.2	5.0	±3	±1	±3	79
	12(Vo2)	0.4	2.0	2.5	±5	±2	±5	
GB040-D0524	5(Vo1)	0.4	3.2	5.0	±3	±1	±3	80
	24(Vo2)	0.2	1.0	1.5	±5	±2	±5	
GB040-T051205	5(Vo1)	0.4	3.0	5.0	±3	±1	±3	75
	12(Vo2)	0.2	2.0	2.5	±5	±2	±5	
	-5(Vo3)	0	0.3	0.5	±5	±1	±5	
GB040-T051212	5(Vo1)	0.4	3.0	5.0	±3	±1	±3	75
	12(Vo2)	0.2	2.0	2.5	±5	±2	±5	
	-12(Vo3)	0	0.3	0.5	±5	±1	±5	
GB040-T051515	5(Vo1)	0.4	3.0	5.0	±3	±1	±3	75
	15(Vo2)	0.2	2.0	2.5	±5	±2	±5	
	-15(Vo3)	0	0.3	0.5	±5	±1	±5	
GB040-T052412	5(Vo1)	0.4	3.0	5.0	±3	±1	±3	75
	24(Vo2)	0.2	2.0	2.5	±5	±2	±5	
	-12(Vo3)	0	0.3	0.5	±5	±1	±5	
GB040-T052405	5(Vo1)	0.4	3.0	5.0	±3	±1	±3	75
	24(Vo2)	0.2	1.0	1.5	±5	±2	±5	
	-5(Vo3)	0	0.3	0.5	±5	±1	±5	
GB040-T030512	3.3(Vo1)	0.4	5.0	7.0	±3	±1	±3	70
	5(Vo2)	0.2	2.0	3.5	±5	±2	±5	
	-12(Vo3)	0	0.3	0.5	±5	±1	±5	

Input Specifications

Parameters	Conditions	Min	Typ	Max	Units
Rated input voltage	lo nom		100-240		Vac
Voltage Range	lo nom	90		264	Vac
Frequency		47	50/60	63	Hz
Inrush Current	At 100Vac			20	A
	At 240Vac			40	A
Input Fuse	VDE/UL/CCC FUSE 2.5A/250V				

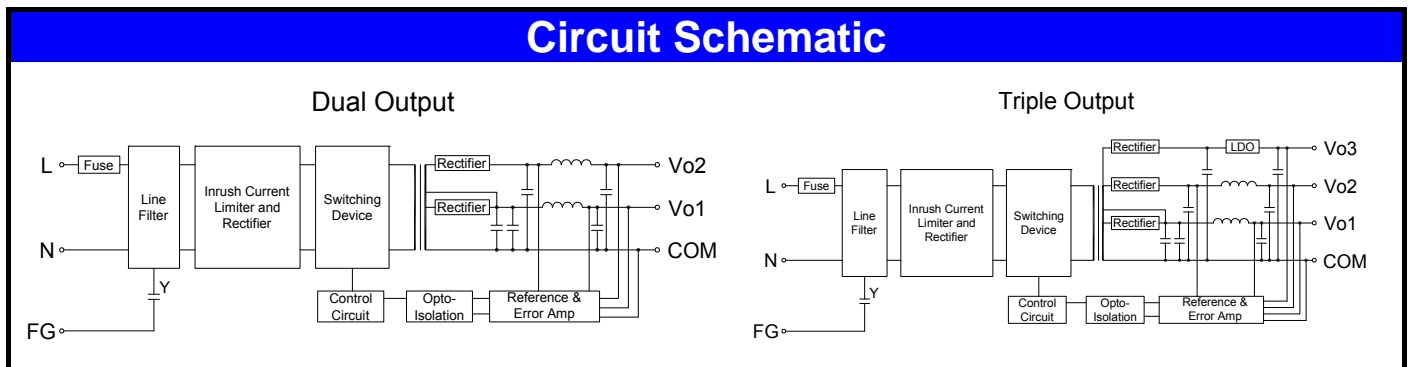
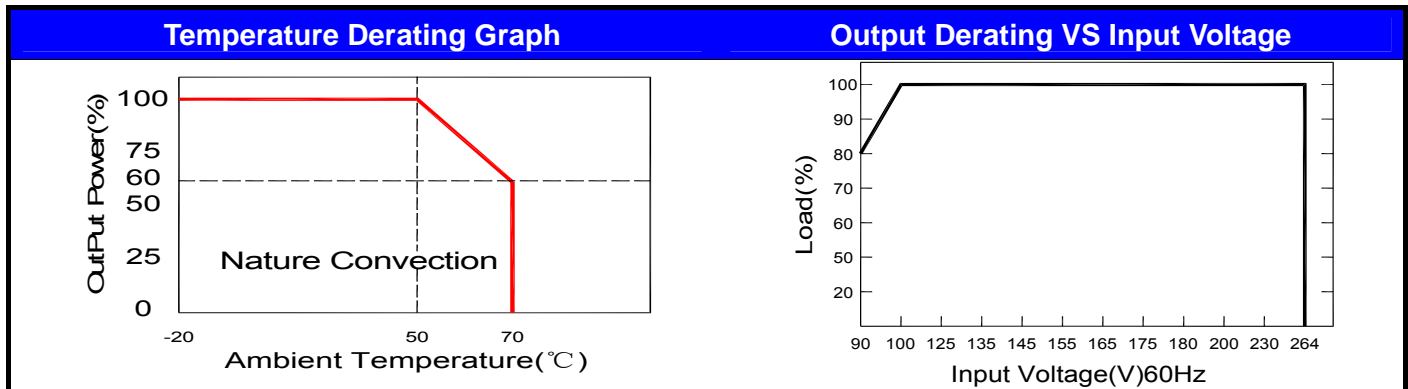
Output Specifications

Parameters	Conditions	Min	Typ	Max	Units
Output Voltage Accuracy	Vi nom, lo nom(Full load)	See models list			
Minimum Load	Vi nom	See models list			
Protection	Overload	Above 110% rated output power			
		Protection type: Recovers automatically after fault condition is removed			
	Over Voltage(Main Output)	120%-150% rated output Voltage			
Short circuit	Protection type: Shut off o/p voltage, re-power on to recover				
	Recovers automatically after fault condition is removed				
Ripple & Noise	Vi nom, lo nom	Main output		100	mVp-p
	BW=20MHz	Supplement Output		150	mVp-p

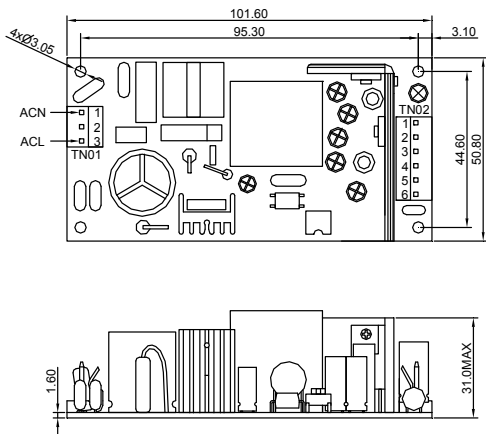
Note. Ripple & noise is measured by using 20 MHz bandwidth, measured with a 47uf paralleled with a high-frequency 0.47uf capacitor across each output by full load.

40Watt,Dual/Triple Output,AC-DC Open Frame Converter

General Specifications					
Parameters	Conditions	Min	Typ	Max	Units
Switching Frequency	Vi nom,lo nom		65		KHz
Isolation Voltage	Input / Output	3KVac/ 5mA/5Secs			
Isolation Resistance	Input / Output,@500 Vdc	100			MΩ
Operating Temperature	Operating at Vi nom,lo nom	-20		+70	°C
Derating	Vi nom,lo nom+51 to 71°C			2	%/°C
Storage Temperature	Non Operational	-40		+85	°C
Relative Humidity	Vi nom,lo nom			95	% RH
Dimension	L101.60 x W50.80 x H31.0				mm
Cooling	Free air convection				



Markings and dimensions



Notes:

1. Input connector mates with Molex housing 09-50-3031 and Molex 2478 series crimp terminal.
2. Output connector mates with Molex housing 09-50-3061 and Molex 2478 series crimp terminal.

TN01	Model
PIN	Dual/Triple OUTPUT
1	ACN
2	No Pin
3	ACL
TN02	
1	Vo2
2	Vo1
3	Vo1
4	COM
5	COM
6	Vo3

Unit:mm Unless otherwise specified, all tolerances are ±0.50