

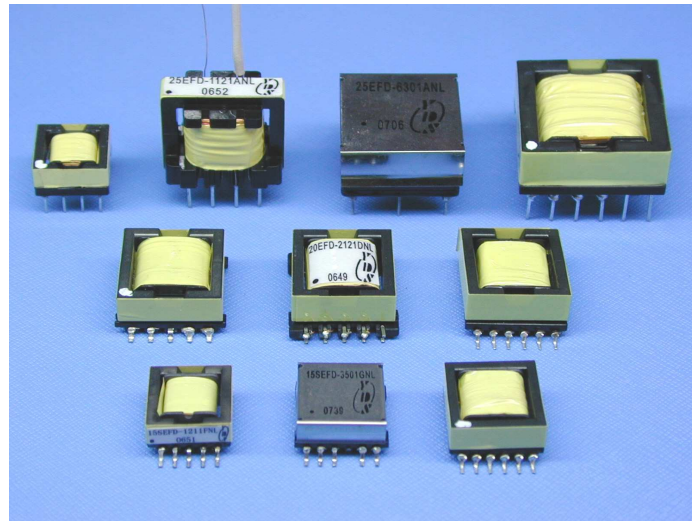
FEATURES

- HIGH FREQUENCY POWER TRANSFORMER
- HIGH FREQUENCY SWITCHING TRANSFORMER
- INDUCTORS TRANSFORMER
- WIDE VARIETY OF OTHER SIZES AND VALUES AVAILABLE

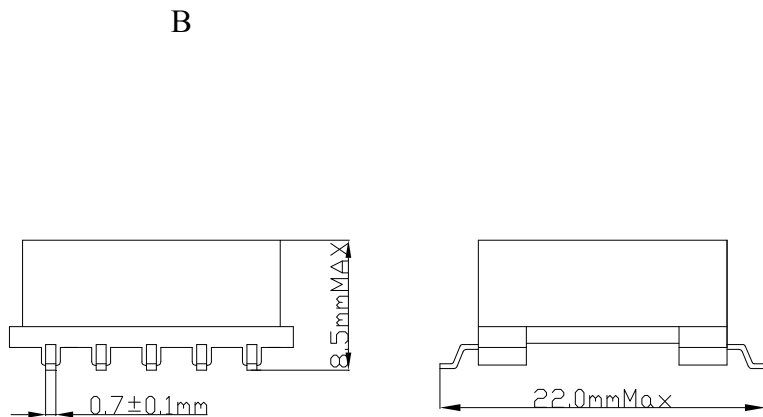
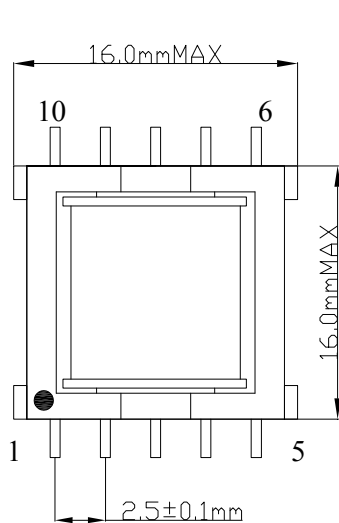
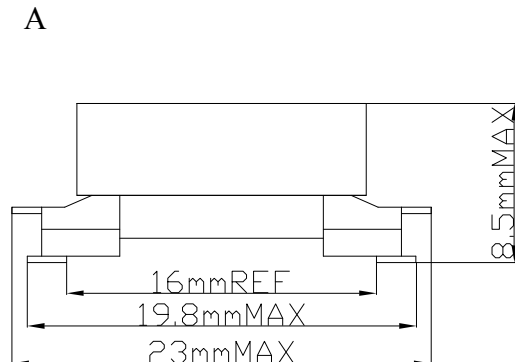
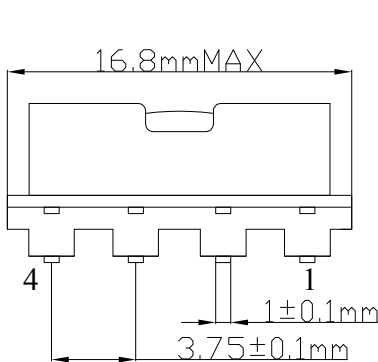
Part Number: 15SEFD/15EFD

15SEFD-038 1 C NL
 A B C D E

A:Series S:SMD NO S:DIP
 B:Inductance
 C:Sequence id
 D:Schematics
 E:ROHS

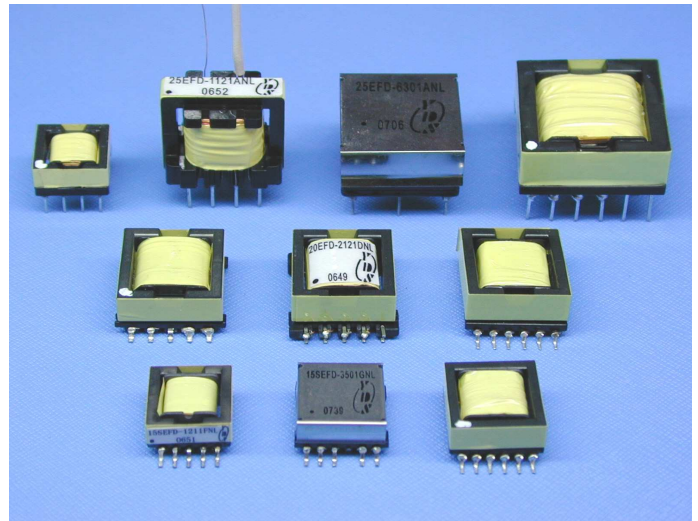


MARKINGS AND DIMENSION



FEATURES

- HIGH FREQUENCY POWER TRANSFORMER
- HIGH FREQUENCY SWITCHING TRANSFORMER
- INDUCTORS TRANSFORMER
- WIDE VARIETY OF OTHER SIZES AND VALUES AVAILABLE



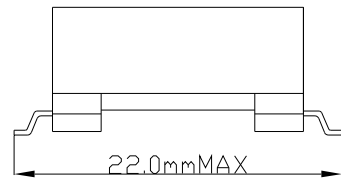
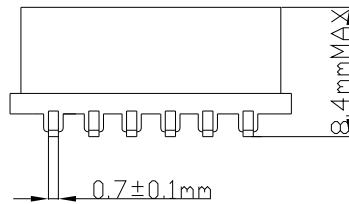
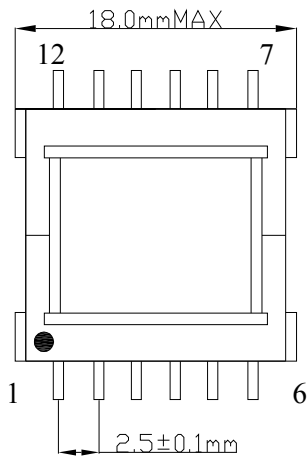
Part Number: 15SEFD/15EFD

15SEFD-038 1 C NL
 A B C D E

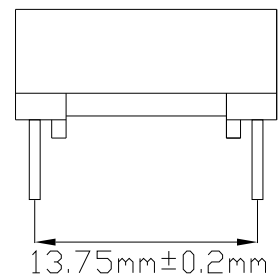
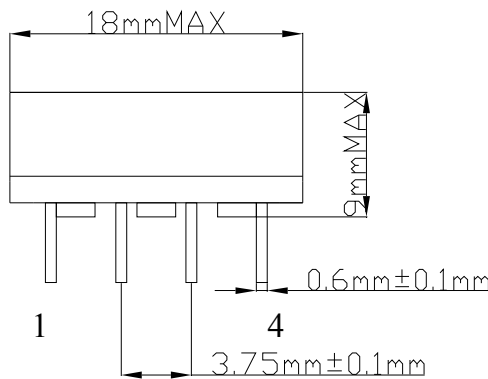
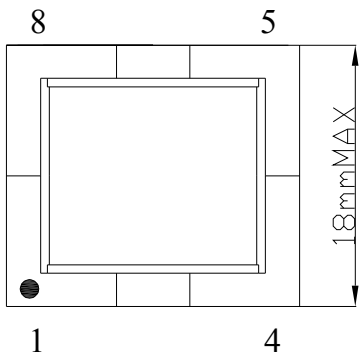
A:Series S:SMD NO S:DIP
 B:Inductance
 C:Sequence id
 D:Schematics
 E:ROHS

MARKINGS AND DIMENSION

C

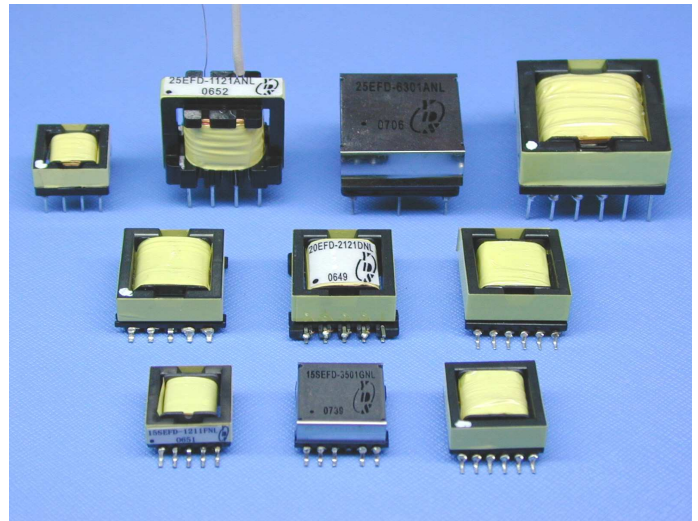


D



FEATURES

- HIGH FREQUENCY POWER TRANSFORMER
- HIGH FREQUENCY SWITCHING TRANSFORMER
- INDUCTORS TRANSFORMER
- WIDE VARIETY OF OTHER SIZES AND VALUES AVAILABLE

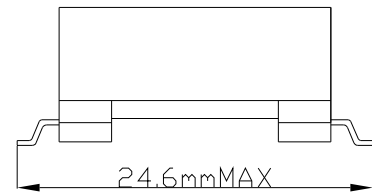
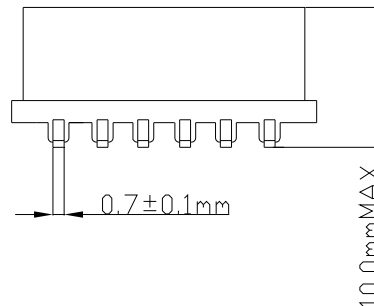
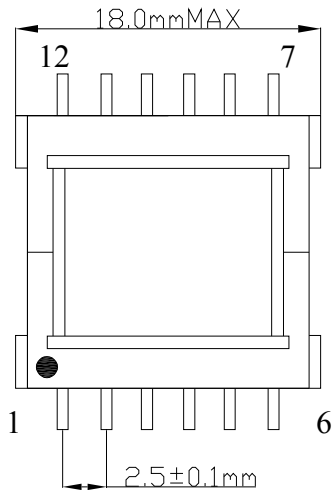


Part Number: 17SEFD

15SEFD-038 1 C NL
 A B C D E

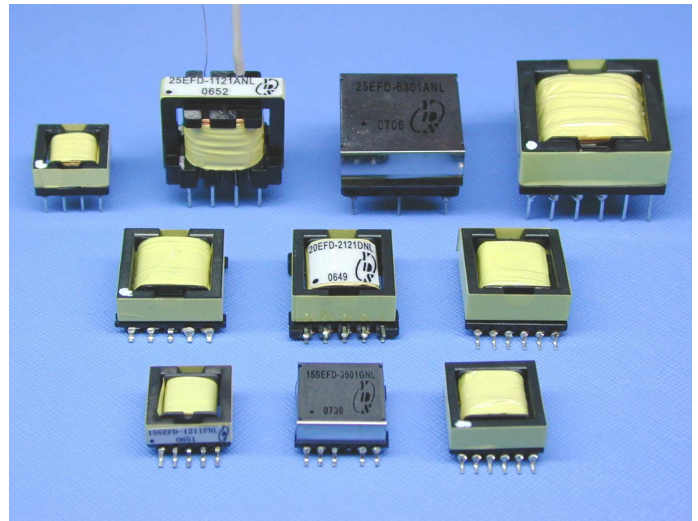
A:Series S:SMD NO S:DIP
 B:Inductance
 C:Sequence id
 D:Schematics
 E:ROHS

MARKINGS AND DIMENSION



FEATURES

- HIGH FREQUENCY POWER TRANSFORMER
- HIGH FREQUENCY SWITCHING TRANSFORMER
- INDUCTORS TRANSFORMER
- WIDE VARIETY OF OTHER SIZES AND VALUES AVAILABLE

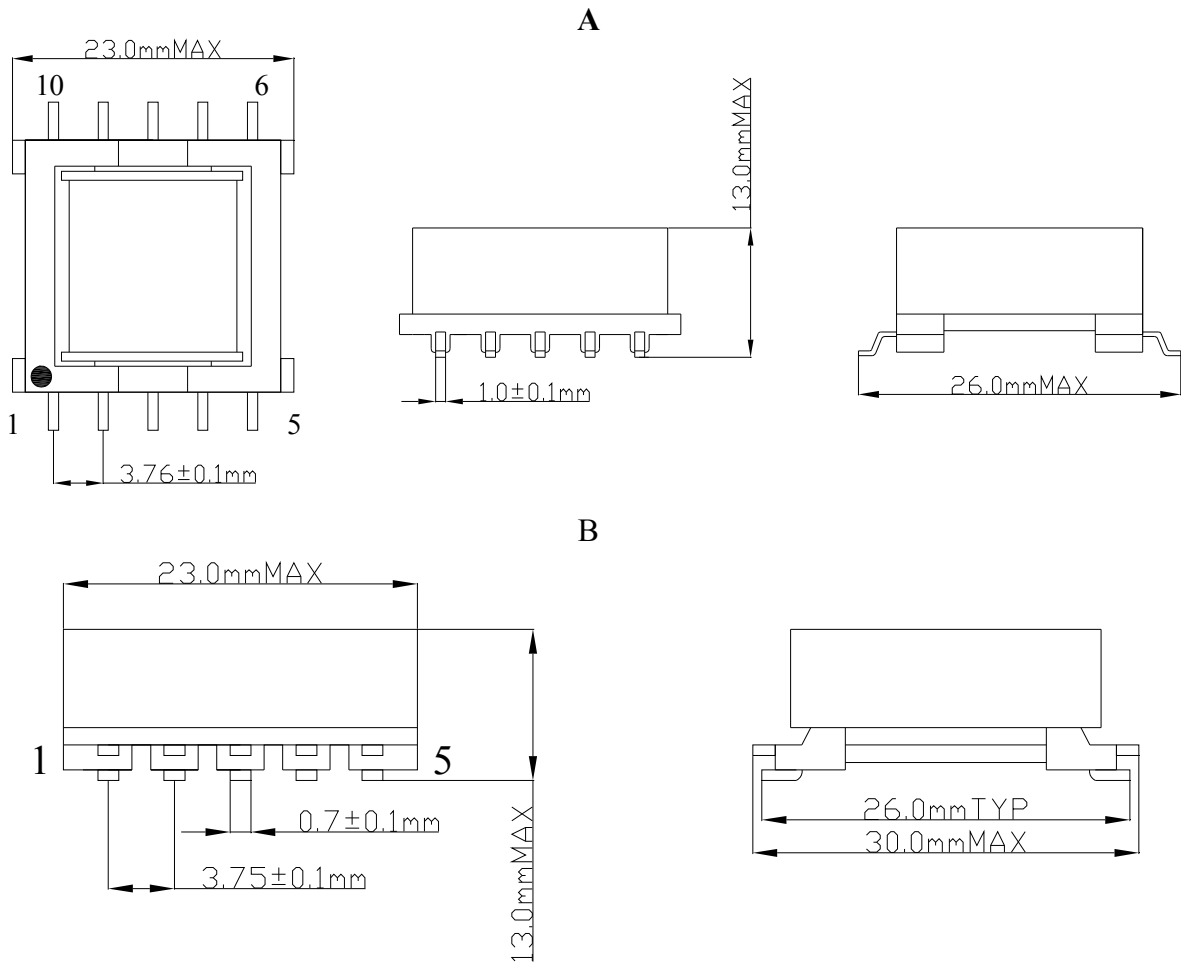


Part Number: 20SEFD/20EFD

15SEFD-038 1 C NL
 A B C D E

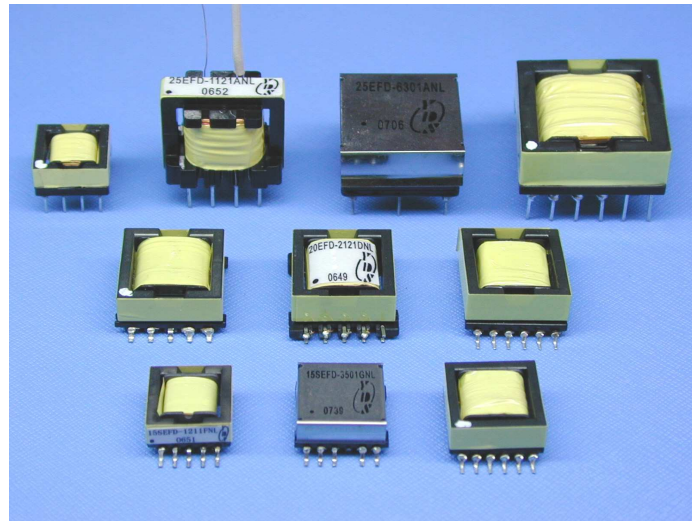
A:Series S:SMD NO S:DIP
 B:Inductance
 C:Sequence id
 D:Schematics
 E:ROHS

MARKINGS AND DIMENSION



FEATURES

- HIGH FREQUENCY POWER TRANSFORMER
- HIGH FREQUENCY SWITCHING TRANSFORMER
- INDUCTORS TRANSFORMER
- WIDE VARIETY OF OTHER SIZES AND VALUES AVAILABLE

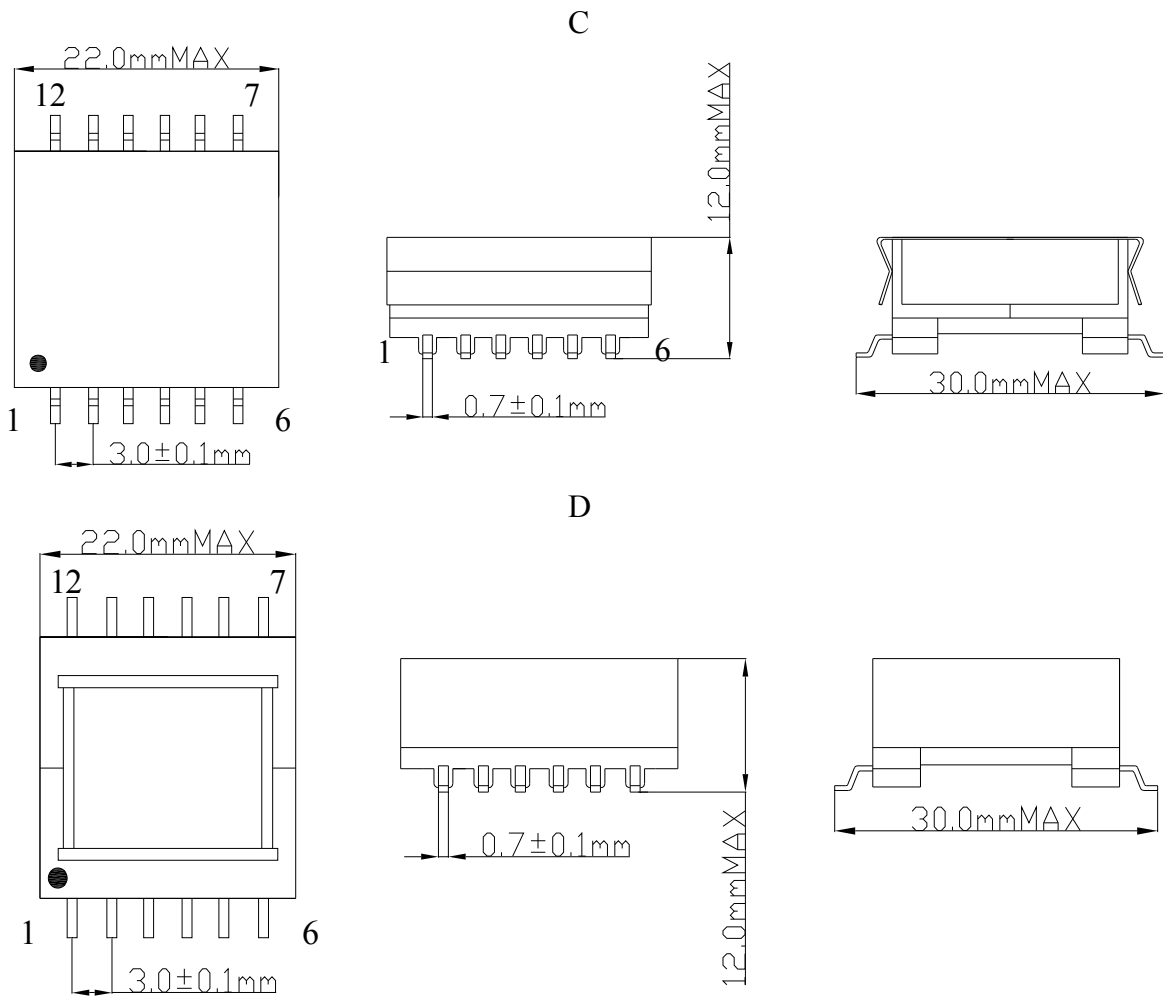


Part Number: 20SEFD/20EFD

15SEFD-038 1 C NL
 A B C D E

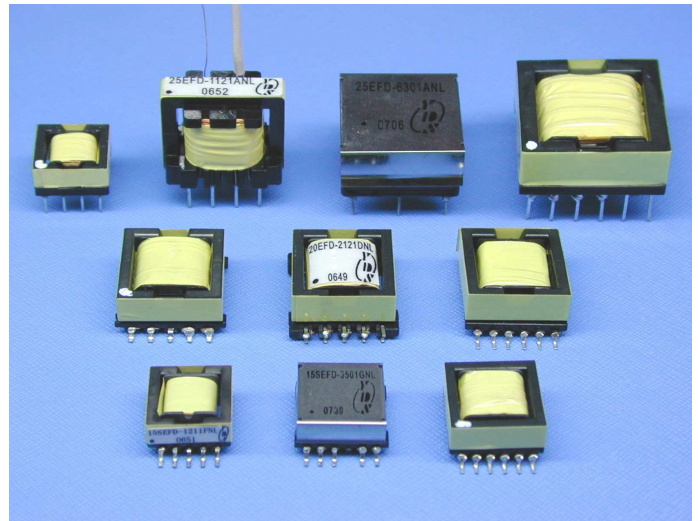
A:Series S:SMD NO S:DIP
 B:Inductance
 C:Sequence id
 D:Schematics
 E:ROHS

MARKINGS AND DIMENSION



FEATURES

- HIGH FREQUENCY POWER TRANSFORMER
- HIGH FREQUENCY SWITCHING TRANSFORMER
- INDUCTORS TRANSFORMER
- WIDE VARIETY OF OTHER SIZES AND VALUES AVAILABLE



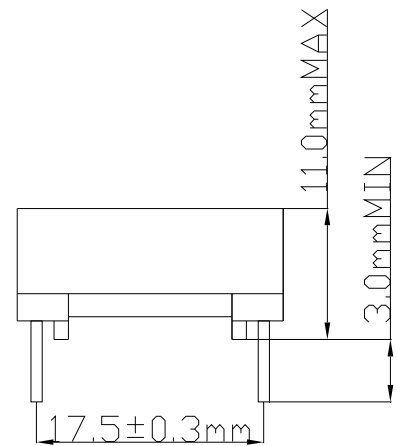
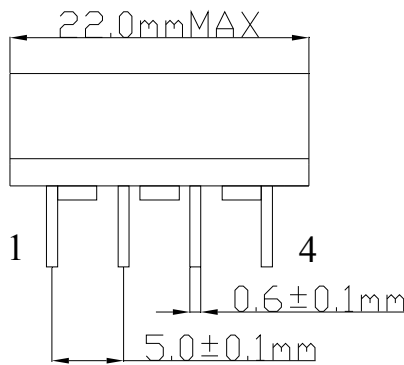
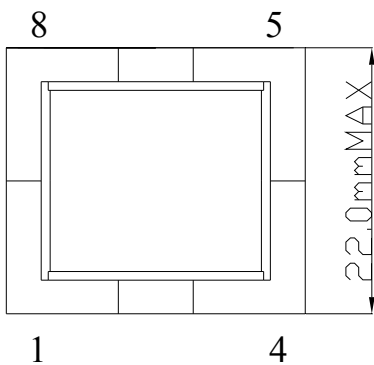
Part Number: 20SEFD/20EFD

15SEFD-038 1 C NL
 A B C D E

A:Series S:SMD NO S:DIP
 B:Inductance
 C:Sequence id
 D:Schematics
 E:ROHS

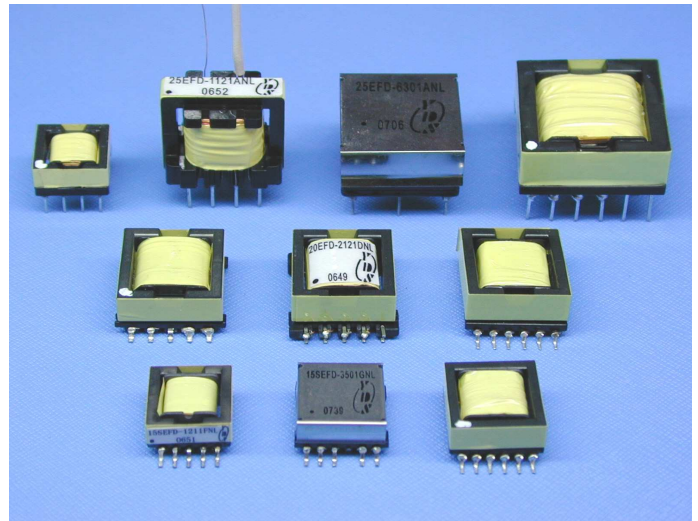
MARKINGS AND DIMENSION

E



FEATURES

- HIGH FREQUENCY POWER TRANSFORMER
- HIGH FREQUENCY SWITCHING TRANSFORMER
- INDUCTORS TRANSFORMER
- WIDE VARIETY OF OTHER SIZES AND VALUES AVAILABLE

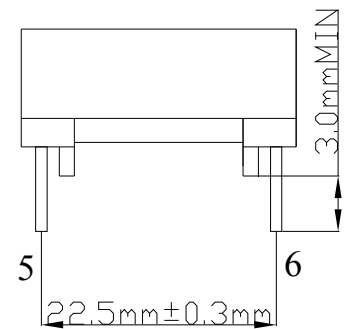
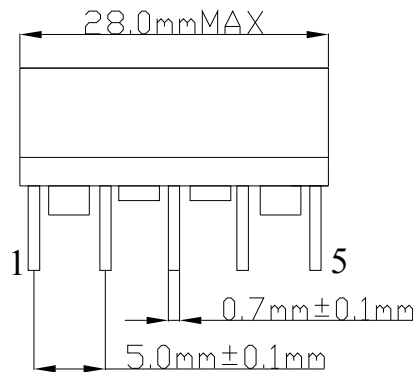
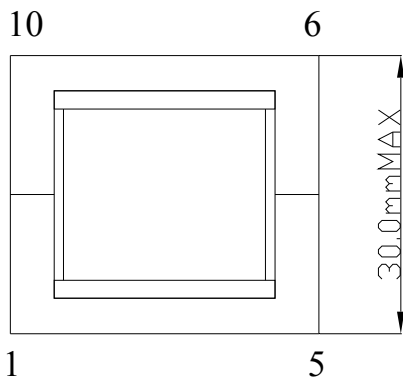


Part Number: 25EFD

15SEFD-038 1 C NL
 A B C D E

A:Series S:SMD NO S:DIP
 B:Inductance
 C:Sequence id
 D:Schematics
 E:ROHS

MARKINGS AND DIMENSION



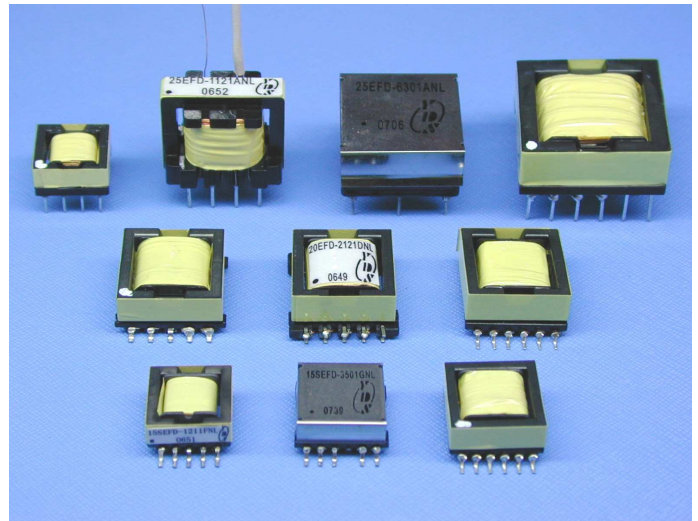
FEATURES

- HIGH FREQUENCY POWER TRANSFORMER
- HIGH FREQUENCY SWITCHING TRANSFORMER
- INDUCTORS TRANSFORMER
- WIDE VARIETY OF OTHER SIZES AND VALUES AVAILABLE

Part Number: 30EFD

15SEFD-038 1 C NL
 A B C D E

A:Series S:SMD NO S:DIP
 B:Inductance
 C:Sequence id
 D:Schematics
 E:ROHS



MARKINGS AND DIMENSION

