

**FEATURES**

- HIGH FREQUENCY POWER TRANSFORMER
- HIGH FREQUENCY SWITCHING TRANSFORMER
- INDUCTORS TRANSFORMER
- WIDE VARIETY OF OTHER SIZES AND VALUES AVAILABLE

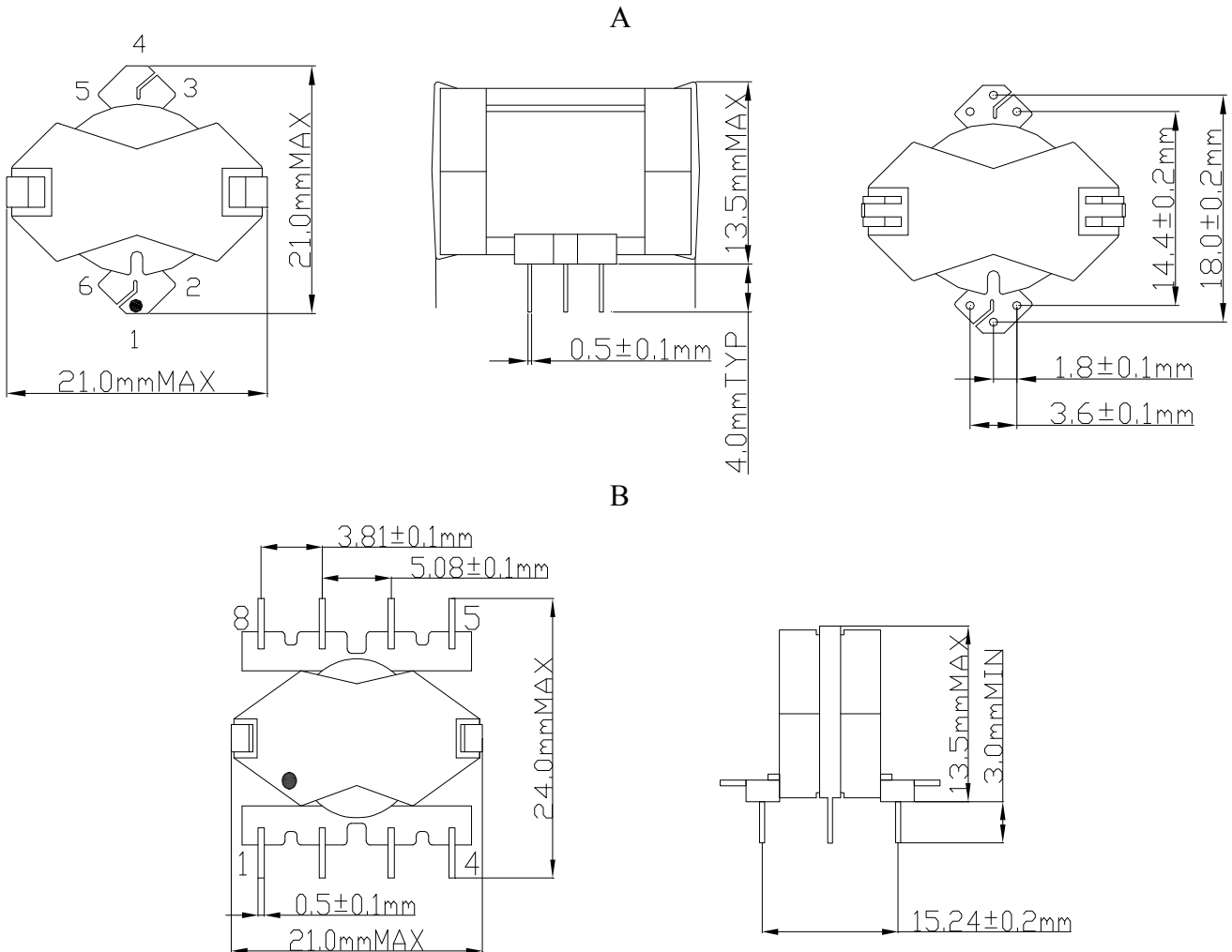


**Part Number: 06RM**

06SRM-152 1 H NL  
A B C D E

A:Series S:SMD NO S:DIP  
B:Inductance  
C:Sequence id  
D:Schematics  
E:ROHS

**MARKINGS AND DIMENSION**



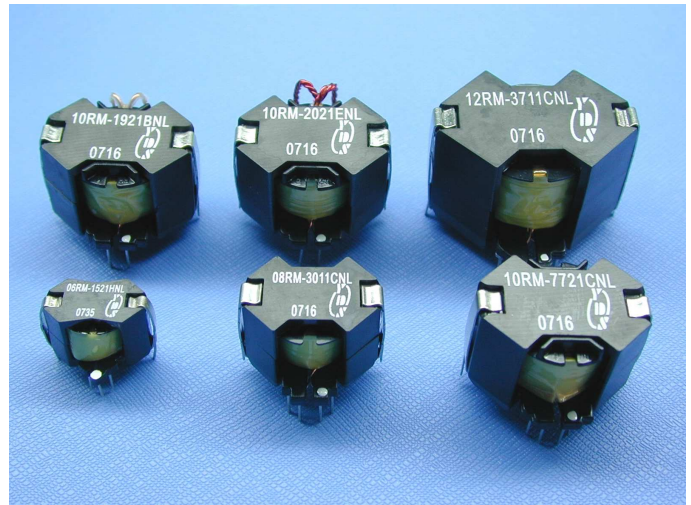
**FEATURES**

- HIGH FREQUENCY POWER TRANSFORMER
- HIGH FREQUENCY SWITCHING TRANSFORMER
- INDUCTORS TRANSFORMER
- WIDE VARIETY OF OTHER SIZES AND VALUES AVAILABLE

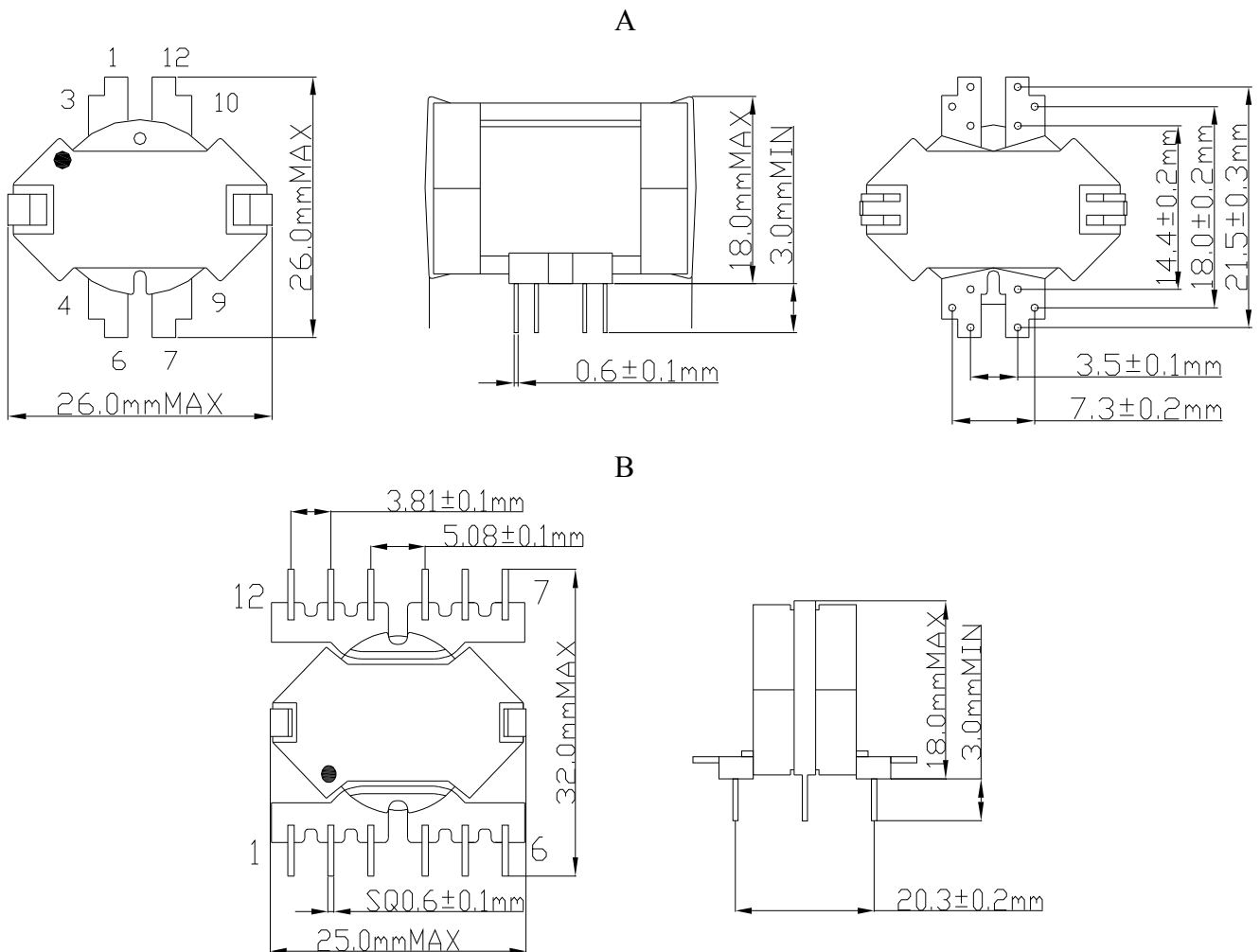
**Part Number: 08RM**

06SRM-152 1 H NL  
 A B C D E

A:Series S:SMD NO S:DIP  
 B:Inductance  
 C:Sequence id  
 D:Schematics  
 E:ROHS

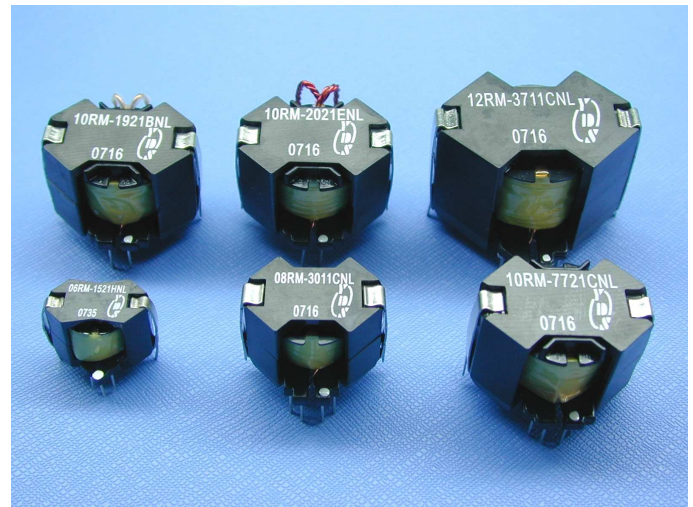


**MARKINGS AND DIMENSION**



**FEATURES**

- HIGH FREQUENCY POWER TRANSFORMER
- HIGH FREQUENCY SWITCHING TRANSFORMER
- INDUCTORS TRANSFORMER
- WIDE VARIETY OF OTHER SIZES AND VALUES AVAILABLE

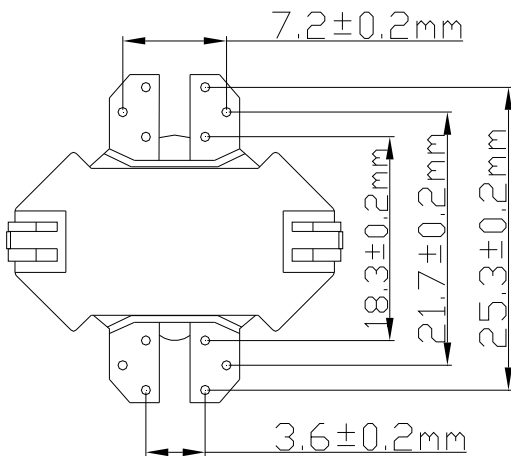
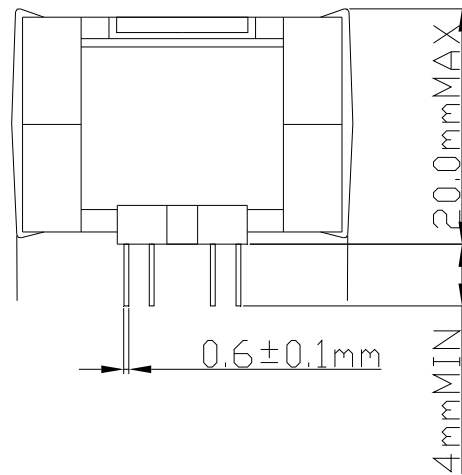
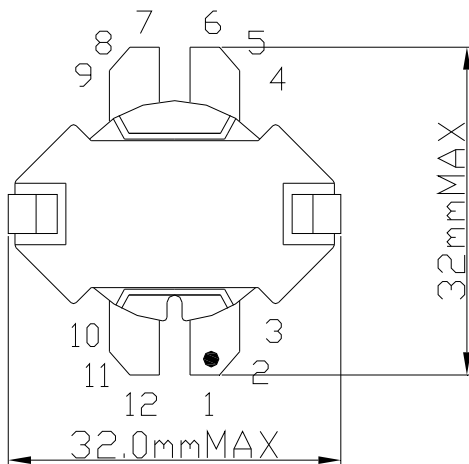


**Part Number: 10RM**

06SRM-152 1 H NL  
 A B C D E

A:Series S:SMD NO S:DIP  
 B:Inductance  
 C:Sequence id  
 D:Schematics  
 E:ROHS

**MARKINGS AND DIMENSION**



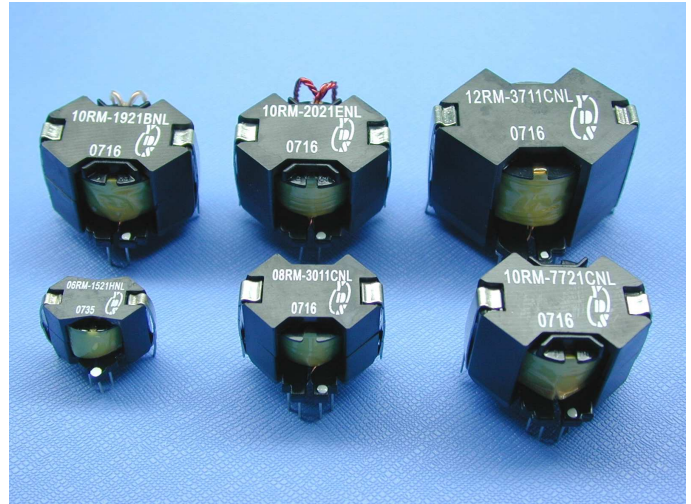
**FEATURES**

- HIGH FREQUENCY POWER TRANSFORMER
- HIGH FREQUENCY SWITCHING TRANSFORMER
- INDUCTORS TRANSFORMER
- WIDE VARIETY OF OTHER SIZES AND VALUES AVAILABLE

**Part Number: 12RM**

06SRM-152 1 H NL  
 A B C D E

A:Series S:SMD NO S:DIP  
 B:Inductance  
 C:Sequence id  
 D:Schematics  
 E:ROHS



**MARKINGS AND DIMENSION**

