

Description

- Core mounted Horizontal or Vertical
- Hipot voltage: 2500Vrms
- Ferrite core material
- Custom designs available

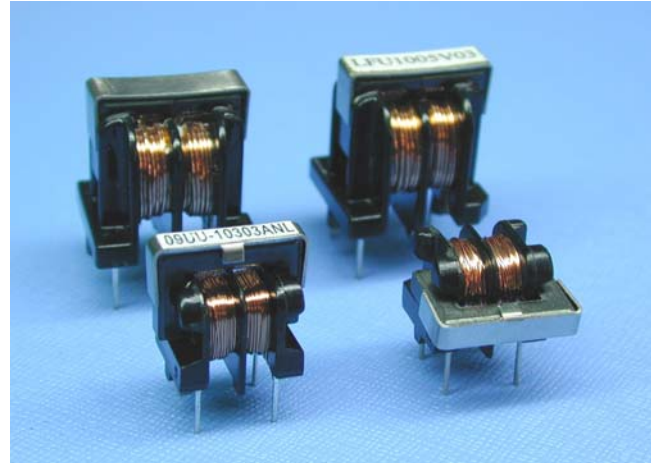
Applications

- Rate current @40°C TYP temperature rise
- Ideally used as common mode noise filter for TV,VCR, Switching power supply,NC machine,PC&PC related advice,measurement and control unit

Part Number Meaning

09UU -223 1 A NL
A B C D E

- A:Series
B:Inductance
C:Sequence id
D:Schematics
E:ROHS



Other

- Operating temperature range: -40°C to +85°C
- Storage temperature range: -55°C to +125°C

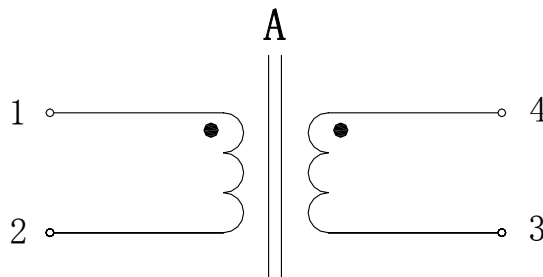
PART NUMBER	L ① (mH MIN)	Irms ② (mA MAX)	DCR ③ (Ohms MAX)	Core ④ Mounted
09UU Series				
09UU-1011ANL	0.1	3000	0.03	V/H
09UU-2011ANL	0.2	2000	0.06	V/H
09UU-5011ANL	0.5	1500	0.12	V/H
09UU-9011ANL	0.9	1300	0.16	V/H
09UU-1021ANL	1.0	1200	0.22	V/H
09UU-1521ANL	1.5	1000	0.30	V/H
09UU-2221ANL	2.2	850	0.40	V/H
09UU-3321ANL	3.3	700	0.50	V/H
09UU-4721ANL	4.7	500	1.60	V/H
09UU-5621ANL	5.6	450	0.75	V/H
09UU-1031ANL	10	350	1.4	V/H
09UU-1531ANL	15	300	2.30	V/H
09UU-2231ANL	22	250	3.7	V/H
09UU-2232ANL	22	300	2.50	V/H
09UU-3331ANL	33	200	4.95	V/H
09UU-4731ANL	47	150	6.9	V/H

①.Measure at 1KHz/0.1V

②.MAX current: The DC current at which the temperature rise is $\Delta t=40^{\circ}\text{C}$ TYP.($T_a=25^{\circ}\text{C}$)

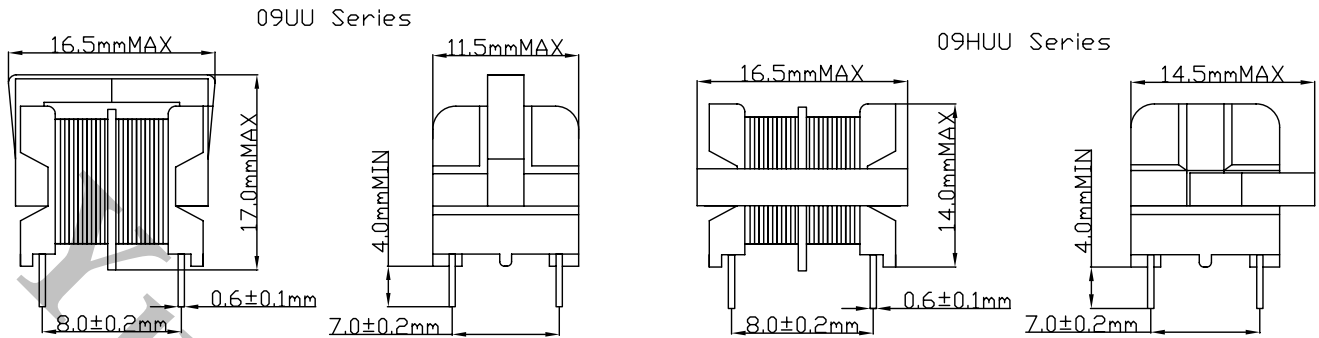
③.Maximum DC Resistance of each winding

④.Appearance of Vertical and Horizontal



Specifications subject to change without notice

Common Mode Inductors UU Series / EMI Filter / Line Filter



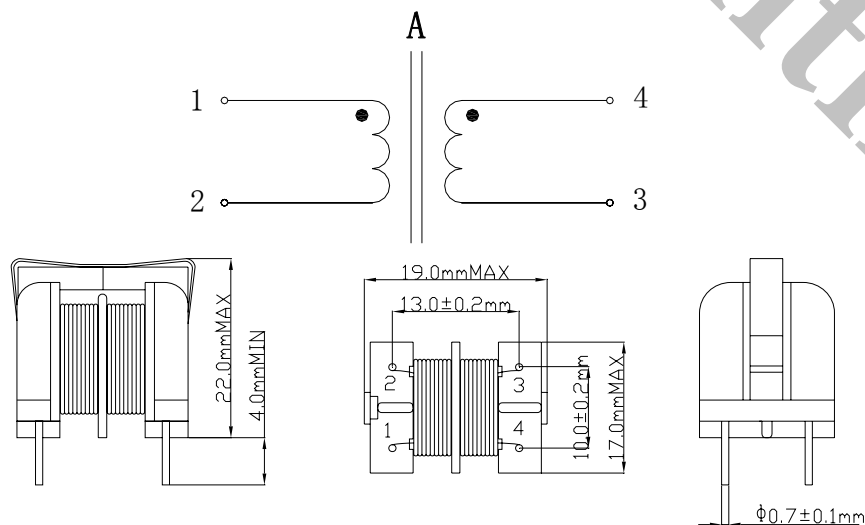
PART NUMBER	L ① (mH MIN)	Idc ② (mA MAX)	DCR ③ (Ohms MAX)	Core ④ Mounted
10UU Series				
10UU-6011ANL	0.6	3000	0.06	V
10UU-1021ANL	1.0	2200	0.1	V
10UU-1721ANL	1.7	1700	0.15	V
10UU-2021ANL	2.0	1600	0.16	V
10UU-2221ANL	2.2	1500	0.19	V
10UU-3021ANL	3.0	1300	0.23	V
10UU-3521ANL	3.5	1200	0.3	V
10UU-4021ANL	4.0	1100	0.35	V
10UU-5521ANL	5.5	1000	0.45	V
10UU-7421ANL	7.4	800	0.55	V
10UU-1033ANL	10	700	0.77	V
10UU-1232ANL	12	600	0.95	V
10UU-1931ANL	19	500	1.5	V
10UU-2031ANL	20	500	1.55	V
10UU-3031ANL	30	400	2.7	V
10UU-4331ANL	43	300	3.9	V
10UU-4531ANL	45	300	4.0	V

①.Measure at 1KHz/0.1V

②.MAX current: The DC current at which the temperature rise is $\Delta t=40^{\circ}\text{C}$ TYP.($T_a=25^{\circ}\text{C}$)

③.Maximum DC Resistance of each winding

④.Appearance of Vertical



Specifications subject to change without notice

Common Mode Inductors UU Series / EMI Filter / Line Filter

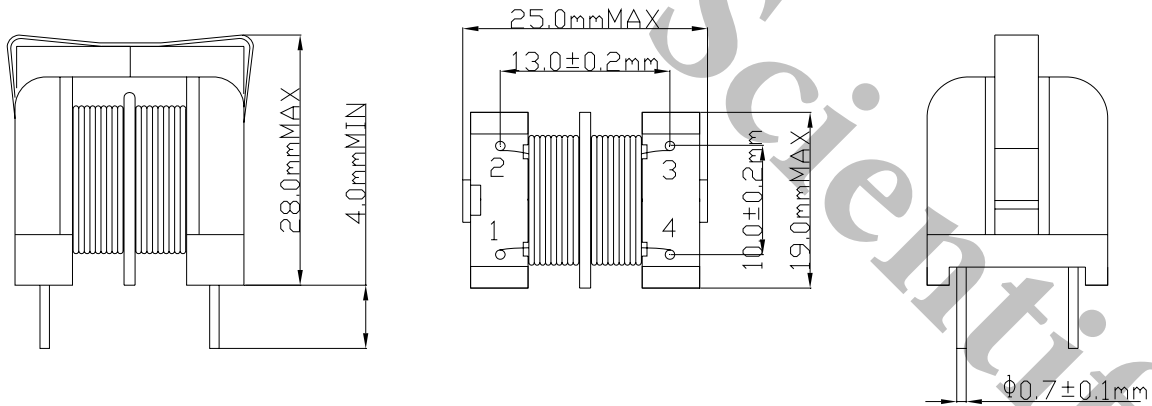
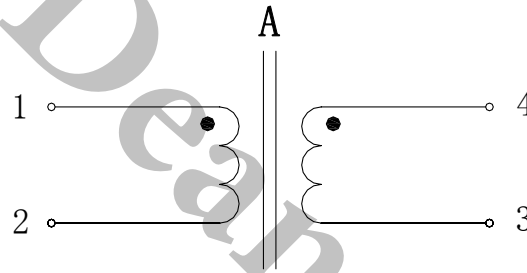
PART NUMBER	L ① (mH MIN)	Idc ② (mA MAX)	DCR ③ (Ohms MAX)	Core ④ Mounted
16UU Series				
16UU-6011ANL	0.6	4400	0.04	V
16UU-1021ANL	1.0	3600	0.05	V
16UU-2021ANL	2.0	2900	0.09	V
16UU-5021ANL	5.0	2300	0.19	V
16UU-8021ANL	8.0	1600	0.35	V
16UU-1031ANL	10	1500	0.38	V
16UU-2031ANL	20	1000	0.75	V
16UU-3031ANL	30	800	1.25	V
16UU-4531ANL	45	700	1.75	V

①.Measure at 1KHz/0.1V

②.MAX current: The DC current at which the temperature rise is $\Delta t=40^{\circ}\text{C}$ TYP.($T_a=25^{\circ}\text{C}$)

③.Maximum DC Resistance of each winding

④.Appearance of Vertical



Specifications subject to change without notice