



### FEATURES

- Single port Tab-Down with internal magnetics for 1000 Base-T
- 350uH minimum OCL with 8mA bias current
- Internal magnetics options available
- Minimum 1500Vrms isolation
- Recognized by UL 60950-1

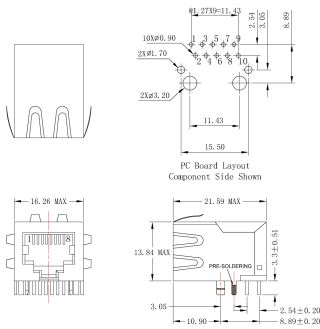


### ELECTRICAL SPECIFICATIONS @25°C -Operating temperature 0°C TO 70°C

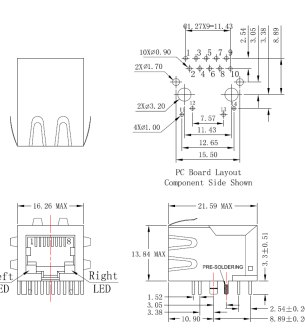
Part Number	Turns Ratio(±5%)	Insertion Loss (dB MAX)	Return Loss (dB MIN @100Ω±15Ω)				Differential to Common Mode Rejection (dB MIN)			Cross talk (dB MIN)			Hipot (V <sub>RMS</sub> )
			0.3-100MHz	1-30 MHz	40 MHz	50 MHz	60-80 MHz	30 MHz	60 MHz	100 MHz	30 MHz	60 MHz	
48F-01GYD2	1CT:1CT	-1.2	-16	-13.5	-11.5	-10	-35	-32	-30	-40	-36	-30	1500
48F-02GYD2	1CT:1CT	-1.2	-16	-13.5	-11.5	-10	-35	-32	-30	-40	-36	-30	1500
48F-01ND2	1CT:1CT	-1.2	-16	-13.5	-11.5	-10	-35	-32	-30	-40	-36	-30	1500
48F-02ND2	1CT:1CT	-1.2	-16	-13.5	-11.5	-10	-35	-32	-30	-40	-36	-30	1500

### MARKINGS AND DIMENSION

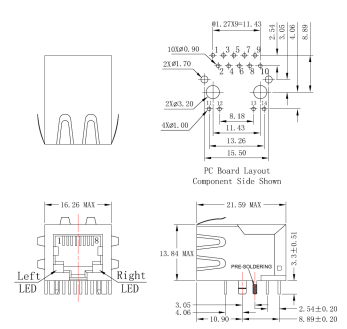
#### NO LED JACK



#### LED-S JACK

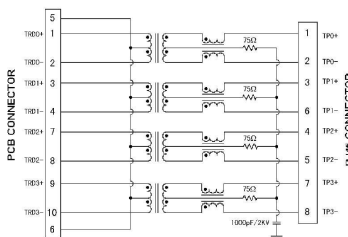


#### LED-P JACK

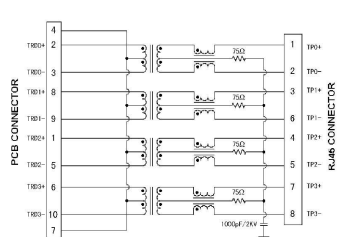


### SCHEMATICS

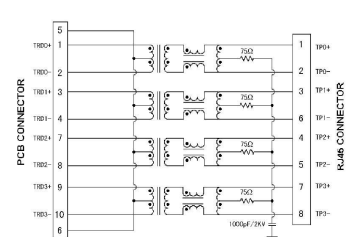
#### 01



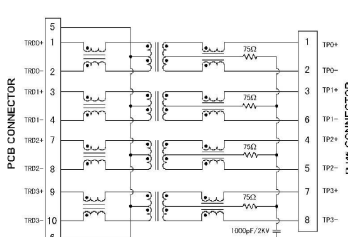
#### 02



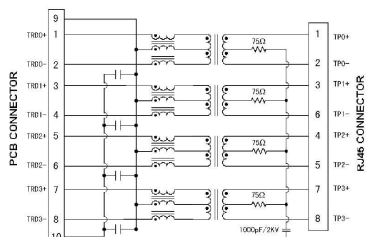
#### 03



#### 04



#### 07



#### 08

