

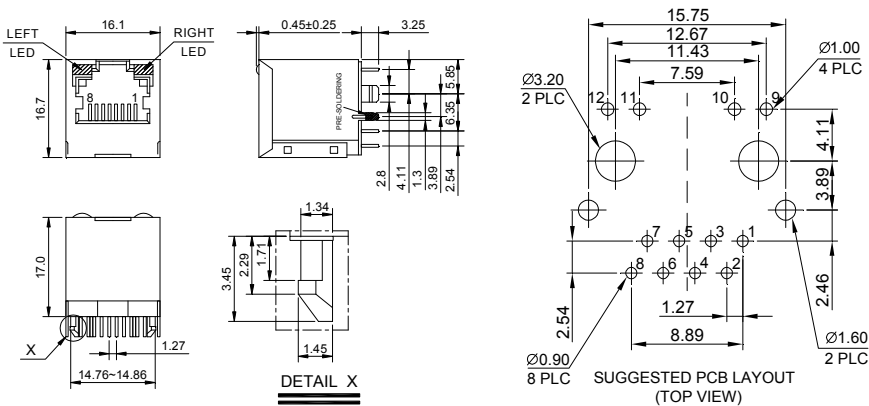
FEATURES

- Magnetic designs to support every PHY
- Meet or exceed IEEE 802.3 and ANSI X3.263 standards including 350uH min OCL with 8mA bias
- Minimum 1500Vrms isolation per IEEE 802.3 requirement



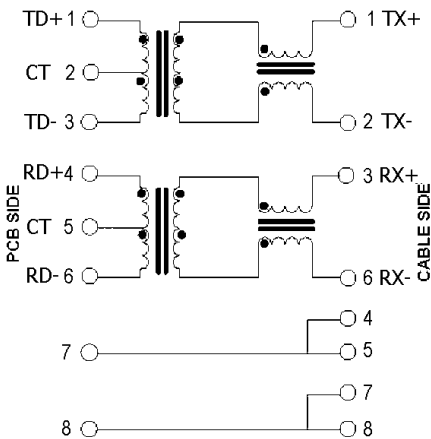
ELECTRICAL SPECIFICATIONS @25°C-Operating temperature 0°C TO 70°C																	
Part Number	Turns Ratio ±5%		DCR (MAX Ω)		LEDS (L/R)	Insertion Loss (dB max)	Return Loss (dB min @100Ω±15Ω)				Crosstalk (dB TYP)			Common Mode Rejection (dB min)			Hipot (V _{rms})
	TX	RX	PRI	SEC		0.3-100 MHz	1-30 MHz	40 MHz	50 MHz	60-80 MHz	30 MHz	60 MHz	100 MHz	30 MHz	60 MHz	100 MHz	
51F-1201GYD2	1CT:1	1CT:1	1.0	1.2	G/Y	-1.0	-20	-15	-15	-10	-30	-30	-30	-30	-30	-30	1000

MECHANICAL

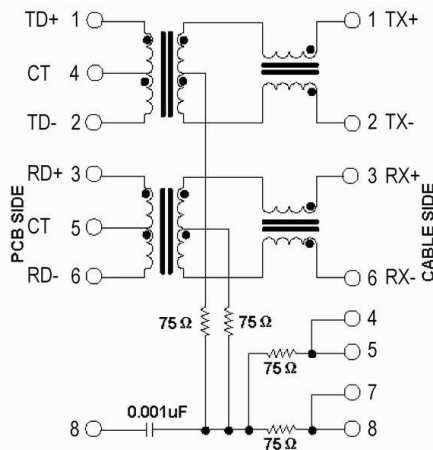


SCHEMATIC

51F-1201



51F-1202



51F-1203

