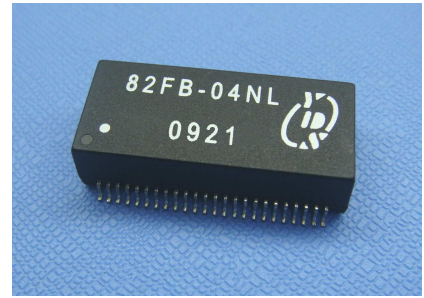


FEATURES

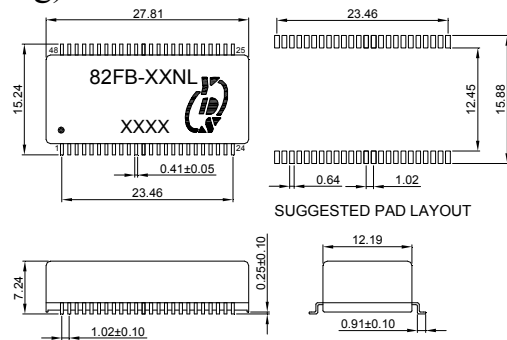
- Designed for Ethernet 10/100/1000BASE-T applications
- Supports 4 pairs of category 5 UTP cable
- Cable interface for isolation and low common mode emissions
- Compliant with IEEE 802.3ab standard for 1000BASE-T
- Recognized By UL 60950-1



ELECTRICAL SPECIFICATIONS @25°C -Operating temperature -40°C TO +85°C													
Part Number	Insertion Loss (dB MAX)	Return Loss (dB MIN @100Ω)					Differential to Common Mode Rejection (dB TYP)			Crosstalk (dB TYP)			Hipot (Vrms) @60Hz
		1-100 MHz	1-30 MHz	40 MHz	50 MHz	60-80 MHz	100 MHz	30 MHz	60 MHz	100 MHz	30 MHz	60 MHz	
82FB-01	-1.4	-16	-14.4	-13.1	-12	-10	-45	-40	-35	-43.5	-37.5	-33	1500
82FB-02	-1.4	-16	-14.4	-13.1	-12	-10	-45	-40	-35	-43.5	-37.5	-33	1500

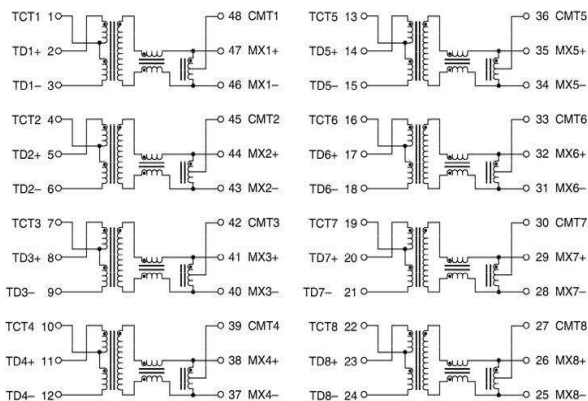
Mechanicals

82FB(Bottom Potting)



Schematics

82FB-01



82FB-02

