

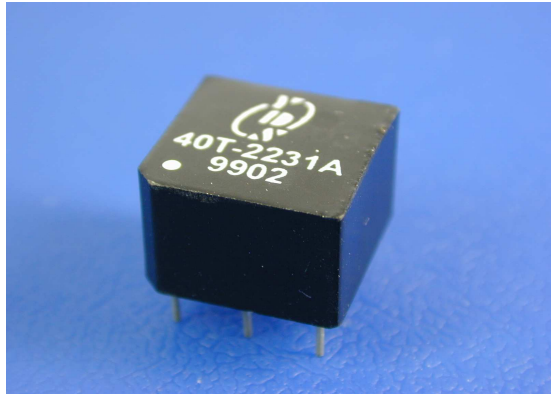
FEATURES

- MEET THE PULSE WAVEFORM TEMPLATE OF CCITT I.430 WHEN RECOMMENDED TRANSFORMER AND CHIP PAIR IS USED
- EXCELLENT LONGITUDINAL BALANCE
- 2KV RMS VOLTAGE ISOLATION
- RECOGNIZED BY UL 1950.

TEST CONDITIONS

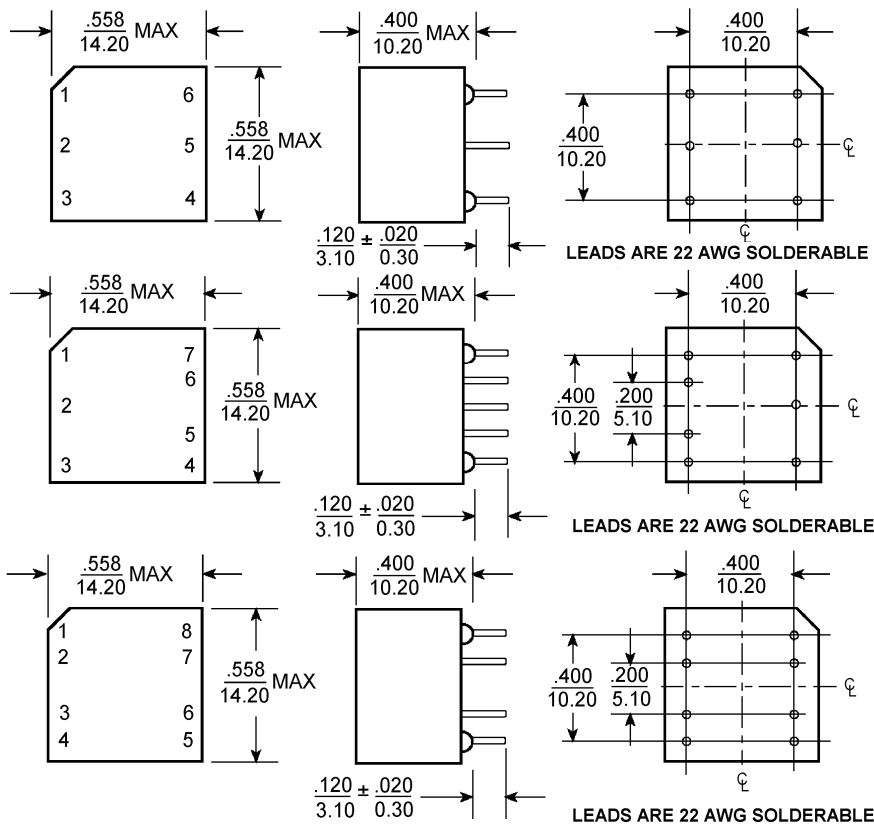
- Inductance ----- 10KHZ/200mV
- Leakage Inductance ----- 100KHZ/1V
- Interwinding Capacitance -- 1MHZ/1V

ELECTRICAL SPECIFICATIONS @25°C

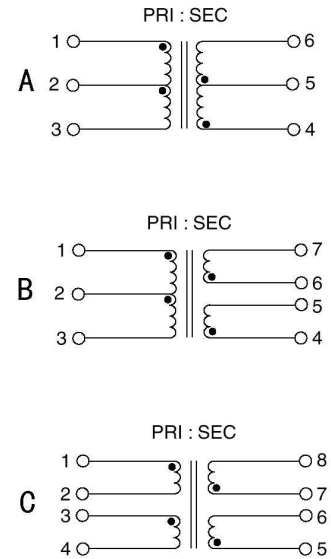


PART NUMBER	RATIO (±2%)	OCL Pri. (mH min.)	LL Sec. (uH max.)	CW/W (pf max.)	CD Pri. (pf max.)	DCR Pri. (Ω±15%)	DCR Sec. (Ω±15%)	ΔIdc (mA max.)
40T-2231A	1CT:1CT	22	5	100	40	2.4	2.4	1
40T-2232B	1CT:1.8CS	22	15	100	140	2.5	4.2	1
40T-2233A	1CT:2CT	22	15	100	80	2.3	4.0	1
40T-2234B	1CT:2.5CS	22	20	100	290	2.5	5.8	1
40T-2235C	1CS:2.5CS	22	15-40	100	290	2.5	5.8	1
40T-2236A	1CT:2CT	22	11	100	180	2.5	5.0	1

MARKINGS AND DIMENSIONS



SCHEMATICS



Part Number:

40T - 223 1 A NL
 A B C D E

A:Series
 B:Inductance
 C:Sequence id
 D:Schematic
 E:RoHS Version

Dimensions:inches/mm

Unless otherwise specified, all tolerances are ±.010/±0.25