



FEATURES

- Designed For Switching Power Supply Applications.
- Transformer Meets IEC950 Insulation Requirements
- Frequency Range From 20kHz To 200kHz
- Recognized by UL 1950

TEST CONDITIONS

- Inductance -----10KHz/500mV

Part Number:

82T - 502 A NL

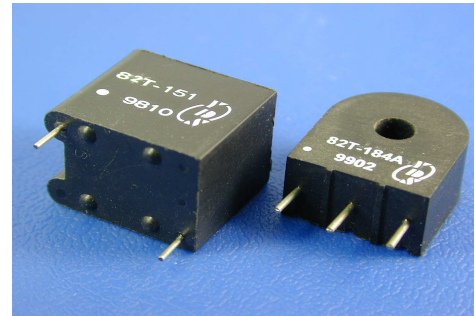
A B C D

A:Series

B:Inductance

C:Schematics

D:RoHS Version

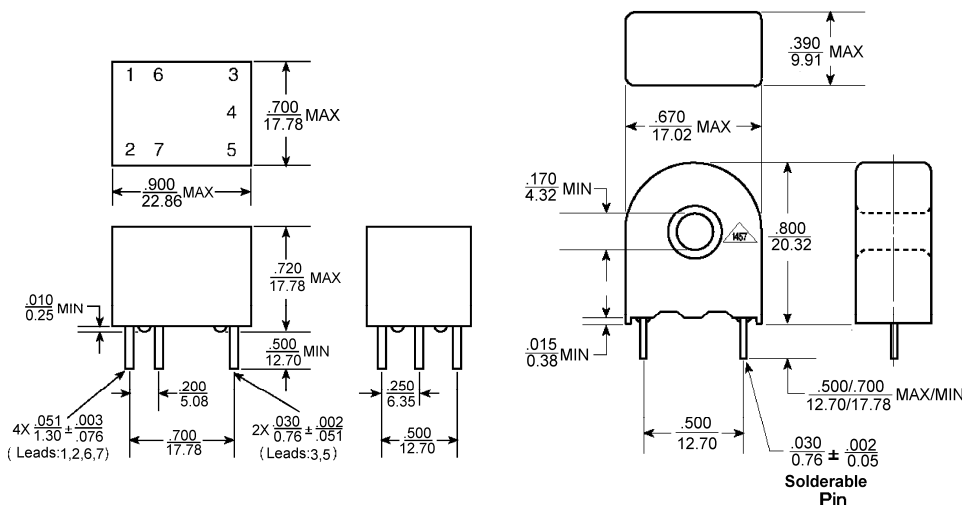


ELECTRICAL SPECIFICATIONS

@25°C-Operating temperature -30°C TO +130°C

PART NUMBER	SCHEM FIGURE	TURNS NS	SECONDARY INDUCTANCE mH(MIN)	SECONDARY INDUCTANCE TEST VOLTAGE (15.75KHz)	RS (Ω MAX)	RT (Ω NOM)	PRIMARY UNIPOLAR AMP μ sec Rating(max)	PRIMARY BIPOLAR AMP μ sec Rating(max)
82T-502A	A	50	5.0	0.5	0.7	50	150	300
82T-203A	A	100	20.0	1.0	1.40	100	300	600
82T-803A	A	200	80.0	2.0	4.50	200	600	1200
82T-502B	B	50CT	5.0	0.5	0.7	50	150	300
82T-203B	B	100CT	20.0	1.0	1.40	100	300	600
82T-803B	B	200CT	80.0	2.0	4.50	200	600	1200
82T-184B	B	300CT	180.0	3.0	11.0	300	900	1800
82T-203C	C	100	20.0	1.0	1.40	100	300	600
82T-803C	C	200	80.0	2.0	4.50	200	600	1200
82T-502D	D	50CT	5.0	0.5	0.7	50	150	300
82T-203D	D	100CT	20.0	1.0	1.40	100	300	600
82T-803D	D	200CT	80.0	2.0	4.50	200	600	1200
82T-502E	E	50	5.0	0.5	0.7	50	150	300
82T-203E	E	100	20.0	1.0	1.40	100	300	600
82T-803E	E	200	80.0	2.0	4.50	200	600	1200
82T-502F	F	50CT	5.0	0.5	0.7	50	150	300
82T-203F	F	100CT	20.0	1.0	1.40	100	300	600
82T-803F	F	200CT	80.0	2.0	4.50	200	600	1200
82T-184F	F	300CT	180.0	3.0	11.0	300	900	1800

MARKINGS AND DIMENSIONS



SCHEMATICS

