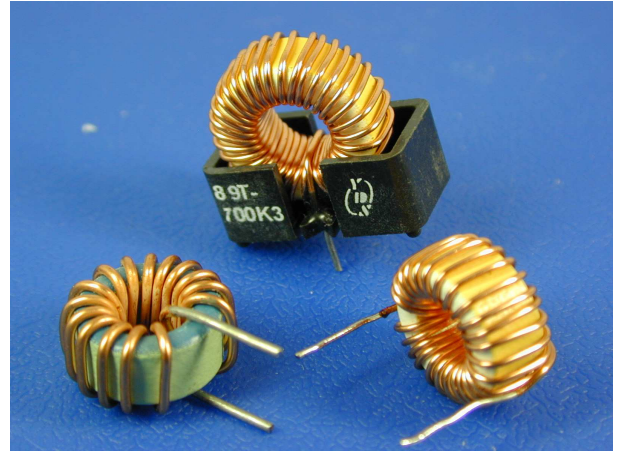


FEATURES

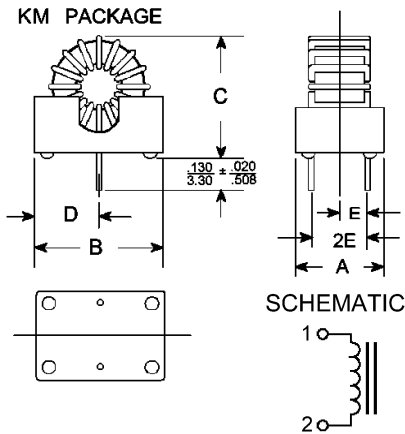
- AVAILABLE IN VERTICAL, LOWPROFILE AND KLIPMOUNT™ .
- SMPS AVERAGING FILTER.
- CHARACTERIZED FOR GENERAL PUROUSE USE AND RIPPLE FILTERS.
- SINGLE-LAYER DESIGNS.
- CAN BE USED AS DIFFERENTIAL MODE INDUCTORS IN EMI FILTERS³
- RECOGNIZED BY UL 1950



ELECTRICAL SPECIFICATIONS @25°C -Operating temperature -30°C TO +130°C

REFERNCE OPERATING VALUES						DESIGN CONTROL VALUES					
Low profile Part Number	Vertical Part Number	Inductance Typical (μH)	Idc amps	E _{Top} (v-μ sec)	Energy Storage (μj)	Inductance No dc±20% (μH)	20khz Test mv No dc	Dcr (Ω) Max	Coil Size Code	K.Mount Part Number	Lead Diameter (in)±.003
89T-500WB	89T-500VB	50	2.6	50	169	45.7	45	0.071	B	89T-500KM2	0.020
89T-101WC	89T-101VC	100	2.6	90	338	94.1	90	0.100	C	89T-101KM3	0.020

MARKINGS AND DIMENSION



STANDARD PACKAGE	A	B	C	D	E
	NOM±.005/0.13		NOM.	TYPICAL	
KM1	.340	.580	.650	.29	.110
	8.64	14.73	16.57	7.37	2.79
KM2	.450	.650	.700	.325	.150
	11.43	16.51	17.78	8.26	3.91
KM3	.450	.830	.950	.415	.150
	11.43	21.08	24.13	10.54	.391
KM4	.600	.950	1.10	.475	.225
	15.24	24.13	27.94	12.07	5.72
KM5	.700	1.3	1.40	.625	.250
	17.78	33.02	35.56	15.88	6.35

DIMENSIONS: inches/mm