

FEATURES :

- 10W SIP PACKAGE
- 4:1 WIDE INPUT RANGE
- 100% BURNED IN
- HIGH EFFICIENCY
- UL94V-0 PACKAGE MATERIAL
- CUSTOMIZED SOLUTIONS AVAILABLE
- RoHS COMPLIANT
- Design refer to AAMI/CSA 60601-1,IEC/EN60601-1 3.1 edition
- Medical /Industry/ITE Application

YUAN DEAN SCIENTIFIC



DC-DC Converter

30DW-10WM SERIES

10Watt 3KVac Isolated

4 : 1 Input Voltage Range

Single & Dual Output

SIP

Specifications typical at TA=25°C, nominal input voltage and rated output current unless otherwise specified

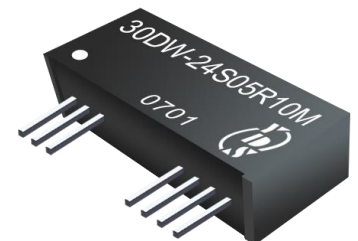
Part Number	Input Voltage	Input Current		Output Voltage	Output Current	Efficiency
	Vdc	No Load (mA TYP)	Full Load (mA TYP)	Vdc	Full Load (mA)	%TYP
30DW-24S03R10WM	9-36	50	503	3.3	3000	82
30DW-24S05R10WM	9-36	50	508	5	2000	82
30DW-24S12R10WM	9-36	30	502	12	833	83
30DW-24S15R10WM	9-36	30	505	15	670	83
30DW-24D05R10WM	9-36	30	502	±5	±1000	83
30DW-24D12R10WM	9-36	30	506	±12	±420	83
30DW-24D15R10WM	9-36	30	512	±15	±340	83
30DW-48S03R10WM	18-75	30	252	3.3	3000	82
30DW-48S05R10WM	18-75	30	254	5	2000	82
30DW-48S12R10WM	18-75	20	251	12	833	83
30DW-48S15R10WM	18-75	20	252	15	670	83
30DW-48D05R10WM	18-75	20	251	±5	±1000	83
30DW-48D12R10WM	18-75	20	253	±12	±420	83
30DW-48D15R10WM	18-75	20	256	±15	±340	83

Input Specifications

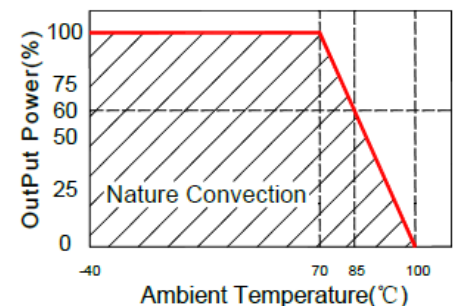
Parameters	Conditions	Min	Typ	Max	Units
Voltage Types				4:1	%
Filter			PI Network		

Output Specifications

Parameters	Conditions	Min	Typ	Max	Units
Voltage Tolerance	Full load@Vin(nom.)			±2	%
Short Circuit Protection	Hiccup, automatic Recovery				
Line Regulation				±0.5	%
Load Regulation	Single Dual(Balance Load)			±0.5	%
Cross Regulation	Dual(25% To 100% Load)			±5	%
Ripple & Noise	Output:3-15V TYPES BW=DC To 20MHz			100	mVp-p
Ripple & Noise	Output > 15V TYPES BW=DC To 20MHz			1% of Vout	mVp-p
Transient response setting time	25% load step change			350	us



Temperature Derating Graph



www.yds.com.tw



TEL : 886-6-3842899 FAX : 886-6-3843288
E-MAIL : ydsweb@yds.com.tw

Rev:0 2017/8/30

General Specifications

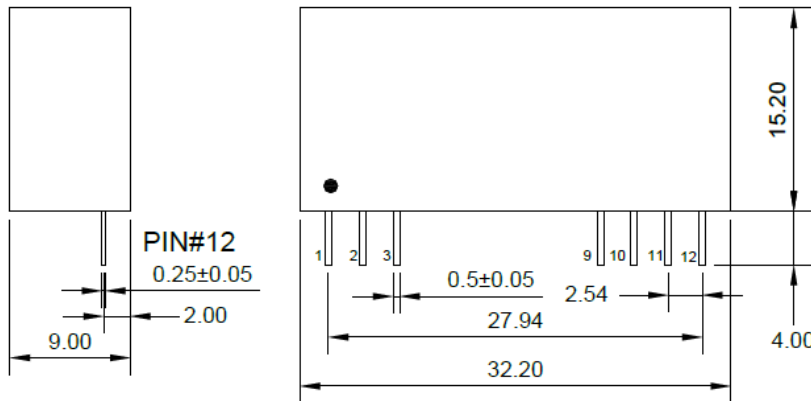
Parameters	Conditions	Min	Typ	Max	Units
Isolation Voltage			3000		Vac
Isolation Resistance	500Vdc	1000			MΩ
Switching Frequency			400		KHz
Operating Temperature	With derating	-40		100	°C
Storage Temperature		-55		125	°C
Humidity	Non Condensing			95	%
Cooling	Free air Convection				
Case material			Plastic		
MTBF	MIL-HDBK-217F@25°C	700000			Hours
Weight			12.5		g
Dimensions			32.2x15.2x9.0		mm

Part Number

30DW - 24 S 03 R 10W M
 A B C D E F G

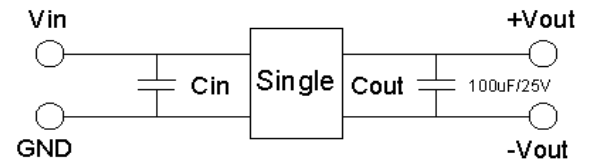
- A: Series
- B: Input Voltage
- C: Single Output(D),Dual(D)
- D: Output Voltage
- E: Regulated (R)
- F: Power Rating
- G: Medical Application

Markings and dimensions

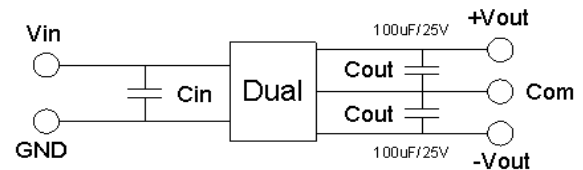


Unit : mm Unless otherwise specified, all tolerances are ±0.25

Recommended Test Circuit



24V & 48V : Cin 10uF, 100V



24V & 48V : Cin 10uF, 100V

PIN Assignment

Pin	1	2	3	9	10	11	12
Single	-Vin	+Vin	Remote ON/OFF	NC	+Vout	-Vout	NC
Dual	-Vin	+Vin	Remote ON/OFF	NC	+Vout	Common	-Vin

